

TIMBERLINE™

a Professional Brand of  **Amana Tool**®





PRO LINE

CONTRACTOR TOOLING

**OFFERING SUPERIOR
CUTS AND A SMOOTH
CUTTING PERFORMANCE!**

If you're looking for woodworking, carpentry, and contractor tools that offer superior cuts and smooth performance at prices that can't be beat --- then look no further. Timberline™ router bits, saw blades, cutters and accessories boast high quality at an affordable price. Each Timberline™ tool is carefully engineered and manufactured to maximize performance while stretching your tool budget.

Despite the lower cost, Amana Tool® has not cut corners with the Timberline™ product line. Each tool utilizes only the finest steel and micro-grain carbide. Our CNC sharpening technology and cutting geometry is world renown. Timberline™ saw blades are skillfully heat-treated, and fully tensioned in order to provide you with smooth cutting performance. All Timberline™ router bits feature the latest in anti-kickback design technology; this important feature limits the cutting depth which ensures that our bits are safer for your use.

Whether you're a serious woodworking enthusiast or a professional contractor, you're sure to find the tool you need. We invite you to give Timberline™ products a try. We're confident that you won't find finer cutting tools at a lower price, and we're confident that you'll also be pleased with the performance too!

To find the dealer nearest to you just visit our website at www.timberline-amana.com.
Or give us a call at 800-445-0077.

Timberline/Amana Tool are not responsible for typographical errors.
All specifications in this catalog are subject to change without notice.
Copyright © 2023 by Amana Tool®



SAW BLADES
Pages 34-51



QUICK RELEASE
Pages 58-65



ROUTER BITS
Pages 2-23



BORING
Pages 56-59



DRILLING
Pages 52-57



SPADE BITS
Pages 61, 68



ROUTER BITS SETS
Pages 24-33

**CARBIDE TIPPED
ROUTER BITS 2-23**

Architectural Molding	13
Bead & Cove	9-10
Beading	8
Bevel Trim	4-5
Bowl & Tray	6
Bullnose	9
Chamfer	8
Classical Groove	6
Classical Plunge	7
Convex Edging	9
Core Box	5-6
Corner Edge Beading	12
Corner Round	8
COVE	9
Crown Molding	13
Door Lip	23
Dovetail	16
Finger Grip	23
Flush Trim	3-4
Glue Joint	17
Keyhole	17
Leaf-Edge Beading	12
Lock Miter	17
Match Bead	12
Mortising	3
Multi-Form	14
Ogee	10
Ogee Filet	11
Ogee Window Sash & Rail	21
Plunge Beading	7
Rabbeting	15
Raised Panel Bits	21-23
Roman Ogee	11
Round Over Groove	6
Signmaking & Lettering	5
Slotting Cutters	16
Special Interest Molding	13
Spoilboard	2
Straight Plunge Bits	2
Stile & Rail Sets	18-21
Table Draw Edge	23
Table Edge	14
Tongue & Groove	17
Triple Bead	12
V Groove	5
Wavy Edge	11

**CARBIDE TIPPED
ROUTER BIT SETS 24-33**

All Purpose Sets	26
Cabinet Door Making Set	25, 28-29, 32
Cove Raised Panel Door Making Sets	28
Door Making Set	27
Handy 24-Piece Router Bit Set	33
Glass Door Making Set	29
Moulding Set	31
Multi 3-Wing Slot Cutter Set	33

Ogee Raised Panel Door Making Sets	25
Shaker Raised Panel Door Making Set	29
Starter Set	30
Steel Ball Bearing Guides	33
Tongue & Groove Cabinet Door Making Set	27

SAW BLADES 34-51

Dado Set	41
Diamond Saw Blades	39, 47-48
Fiberforce™	39
Floor King / Flooring	45-46
Jig Saw Blades	50-51
Ti-Cut™	42-44
Thin Kerf	34-43
General Purpose	34-37
PCD for Fiber Cement Board	39
Finishing	38, 40
Professional Specialty	
All Purpose	37
Sliding Compound Miter	39
Aluminum & Non-Ferrous	41
Saw Blade Reducing Bushings	49
Saw Blade Stabilizers/Stiffeners	49

DRILLING & BORING BITS 52-69

Auger Bits	68
Bi-Metal Hole Saw	56
Bi-Metal Hole Saw Mandrels	57
Brad Point	55
Cobalt Drill	54
Dowel Center Set	57
Flat Bottom Counterbores	66
Forstner Bits	67
Carbide Tipped	67
Coin Sized Forstner Bits	67
Saw Tooth Forstner Bit Set	67
High-Speed Steel	54
Hinge Boring	66
HSS LONG SLOT MORTISE BITS	69
Lockset Installation Kits	69
Masonry-Hammer Drill	53
Mortising Chisels & Bits	69
Multi-Purpose Drill	53
Quick Release System	58-69
82° HSS Countersinks	60
82° Titanium Coated HSS Countersinks	60
Adjustable Drywall Screw Setter	64
Auger Bits	68
Broken Screw Remover	65
Carbide Tipped Boring	59
Carbide Tipped Counterbores	59
Carbide Tipped Countersinks	59
Carbide Tipped Glass & Tile Drills	60
Ceiling Tile Hanger	61
Countersink Set	65
Depth Stops for Countersinks	59

Drill & Drive Countersink Set	65
Drill Adapters with Drill Bits	58
Drill Adapters with Taper Point Drills	58
Drywall Bit Tips	63
Drywall Screw Setter	64
Extensions	62
E-Z Quick Change Bit Set & Case	65
Face Frame Counterbores	60
Hex Bit Tips	64
HSS Countersinks	59
Keyless Chuck	58
Magnetic Bit Holder	61
Magnetic Drive Guide	61
Magnetic Nut Setter	62
Phillips Screw Bit Tips	63
Plug Cutters	59
Pozidrive® Insert Bits	64
Self Centering Drill Bit Guides	60
Slotted Screw Bit Tips	62-63
Socket Adapters	60
Spade Bits with Spurs	61
Square Bit Tips	62
RTA Furniture Drills	58
Titanium Coated HSS Drill Saw	62
Titanium Nitride Coated Drywall Bit Tips	63
Torx® Insert Bits	64
Slotted Drive System Bits	52
Spade Bits	68
Spade Bit Extension	68
Spade Bit Set	68
Spade Bits with Spurs	68
Split Ring Depth Stop	57
Straight Wood Plug Cutters	66
Tapered Wood Plug Cutters	66
The Workhorse - Self Feeding Bit	69
Titanium Coated Step Drill	57
Titanium Nitride Coated Drill	55
Wood Plug Cutter Set	66

HAND TOOLS 69-71

Carpenter Pencils	70
Corner Chisel	69
Diamond Hones	70
Double Edge Laminate / Veneer Trimmer	70
Double Edge Wallboard	70
End Trimmer	70
Noga Deburring System	71
Scoring Tool - Dual Carbide Tipped	70

SAFETY AND PROTECTION 71

Safety Glasses	71
----------------	----

INDEX 74-75

PRO LINE

Router Bits

Carbide Tipped

for professional workshops, contractors & hobbyists



Micro-grain carbide tips stay sharper, longer



JET BLACK COATING protects against rust and corrosion



High-precision cutting edges for chip-free and clean surface finish



Anti-kickback BG Certified design with chip limiter



Semi-mirror finish by Multi-Axis Grinding Machines for extra-long life



Heat treated for durability and precision cutting



PRO LINE**CARBIDE TIPPED
ROUTER BITS****PRO LINE****STRAIGHT PLUNGE**

RECTA UN FILO

1/4" & 1/2" Shank • Single Flute



ØD	B	Ød	L	Tool No.
1/16"	3/16"	1/4"	1-3/4"	100-04†
1/8"	7/16"	1/4"	2"	100-01
1/4"	1"	1/4"	2-3/8"	100-02
1/2"	1-1/2"	1/2"	3-13/16"	110-08

* With solid carbide cutting edge.

† Not guaranteed due to extremely small diameters.

STRAIGHT PLUNGE

RECTA DOS FILOS

1/4" Shank • 2 Flute



ØD	B	Ød	L	Tool No.
3/32"	1/4"	1/4"	1-13/16"	100-06†
1/8"	7/16"	1/4"	2"	100-10†
5/32"	7/16"	1/4"	2-5/16"	100-12
3/16"	3/4"	1/4"	2-1/2"	100-14
7/32"	3/4"	1/4"	2-1/8"	100-15
15/64"	3/4"	1/4"	2"	100-19
1/4"	1/2"	1/4"	2"	100-17
1/4"	3/4"	1/4"	2"	100-16
1/4"	1"	1/4"	2-1/4"	100-18
1/4"	1"	1/4"	2-7/8"	100-22
9/32"	1"	1/4"	2-1/4"	100-26
5/16"	1"	1/4"	2-1/4"	100-30
3/8"	1"	1/4"	2-1/4"	100-34
7/16"	1"	1/4"	2-1/8"	100-38
1/2"	3/4"	1/4"	1-3/4"	100-41
1/2"	1"	1/4"	2-1/8"	100-42
5/8"	3/4"	1/4"	2"	100-46
3/4"	3/4"	1/4"	2"	100-50
1"	3/4"	1/4"	2"	100-54

† Not guaranteed due to extremely small diameters.

STRAIGHT PLUNGE

RECTA DOS FILOS

1/2" Shank • 2 Flute

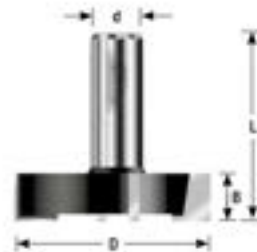


ØD	B	Ød	L	Tool No.
1/4"	1"	1/2"	2-3/4"	110-10
5/16"	1"	1/2"	2-3/4"	110-11
3/8"	3/4"	1/2"	2-1/2"	110-12
3/8"	1"	1/2"	2-3/4"	110-14
3/8"	1-1/4"	1/2"	3"	110-15
7/16"	1-1/4"	1/2"	3"	110-16
15/32"	1-1/4"	1/2"	2-7/8"	110-17
1/2"	1"	1/2"	2-5/8"	110-18
1/2"	1-1/4"	1/2"	2-7/8"	110-22
1/2"	1-1/2"	1/2"	3-1/8"	110-26
1/2"	1-1/2"	1/2"	4-1/4"	110-19
1/2"	2"	1/2"	4-1/4"	110-28
1/2"	2-1/2"	1/2"	4-1/4"	110-50
9/16"	1-1/4"	1/2"	2-7/8"	110-29
5/8"	1"	1/2"	2-5/8"	110-44
5/8"	1-1/4"	1/2"	2-7/8"	110-30
5/8"	1-1/2"	1/2"	3-1/8"	110-52
5/8"	2"	1/2"	3-3/4"	100-40
23/32"	1-1/4"	1/2"	2-7/8"	110-31
3/4"	1"	1/2"	2-5/8"	110-33
3/4"	1-1/4"	1/2"	2-7/8"	110-34
3/4"	1-1/2"	1/2"	3-1/8"	110-36
3/4"	2"	1/2"	3-5/8"	110-37
7/8"	1-1/4"	1/2"	2-7/8"	110-38
1"	1-1/4"	1/2"	2-7/8"	110-42
1-1/4"	1-1/4"	1/2"	2-7/8"	110-46
1-1/2"	1-1/4"	1/2"	2-7/8"	110-48

SPOILBOARD

REBAJAR

1/2" Shank • 4 Flute



ØD	B	Ød	L	Tool No.
2"	1/2"	1/2"	2"	100-60 (16)

⚠ WARNING: Maximum RPM ⚠ = 14,000

MORTISING

MORTAJAS

1/4" & 1/2" Shank • 2 Flute

Used for cutting shallow mortises for hinges & locksets.



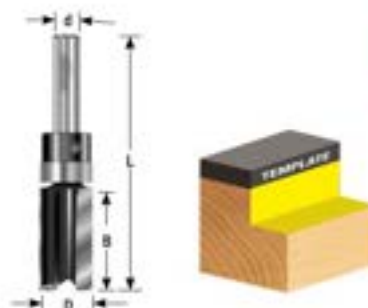
ØD	B	Ød	L	Tool No.
1/2"	3/4"	1/4"	2"	130-10
5/8"	3/4"	1/4"	2"	130-12
3/4"	3/4"	1/4"	2"	130-14
1-1/4"	3/4"	1/2"	2-1/8"	130-16



FLUSH TRIM PLUNGE

RECTA CON RODAMIENTO SUPERIOR

1/4" Shank • 2 Flute with Upper Ball Bearing Guide



ØD	B	Ød	L	Bearing	Tool No.
1/2"	1/4"	1/4"	1-3/4"	47701	120-08
1/2"	1"	1/4"	2-1/2"	47701	120-10
1/2"	1-1/4"	1/4"	2-3/4"	47701	120-12
5/8"	1"	1/4"	2-3/4"	47712	120-14
3/4"	1"	1/4"	2-1/2"	47714	120-16

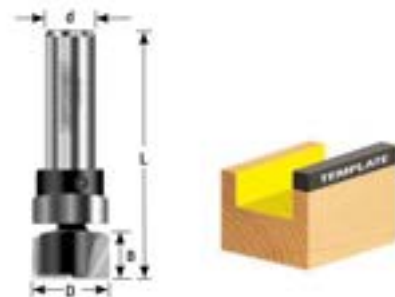
Replacement Collar #47724.



MORTISING FOR BOTTOM CLEANING

MORTAJAS CON RODAMIENTO

1/2" Shank • 2 Flute with Upper Ball Bearing Guide • Up-Shear



ØD	B	Ød	L	Tool No.
3/4"	7/16"	1/2"	2-1/2"	130-50

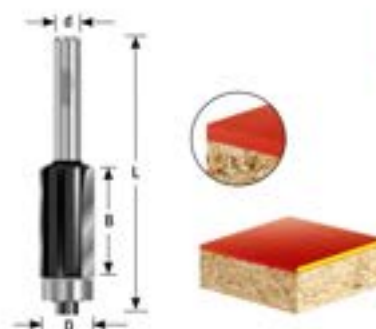
Replacement Bearing #47721, Collar #47740.



FLUSH TRIM

RECORTE DE LAMINADOS CON RODAMIENTO

1/4" Shank • 2 and 3 Flute with Upper Ball Bearing Guide



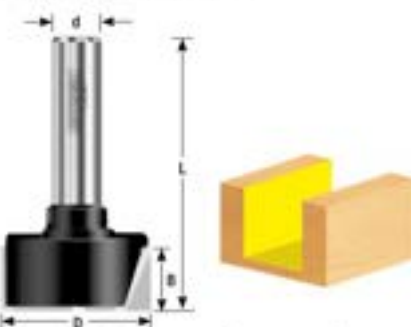
ØD	B	Ød	L	Flute	Bearing	Tool No.
3/8"	1/2"	1/4"	2-1/8"	2	47702	190-14
3/8"	1"	1/4"	2-5/8"	2	47702	190-10
1/2"	1/2"	1/4"	2-1/4"	2	47706	190-22
1/2"	1"	1/4"	2-5/8"	2	47706	190-18
1/2"	1/2"	1/4"	2-1/4"	3	47706	190-28
1/2"	1"	1/4"	2-5/8"	3	47706	190-30



MORTISING FOR BOTTOM CLEANING

MORTAJAS CON RODAMIENTO

1/2" Shank • 2 Flute • Up-Shear Design



ØD	B	Ød	L	Tool No.
1-1/2"	5/8"	1/2"	2-3/4"	130-52



TIMBERLINE

T

M

F

E

PRO LINE

**CARBIDE TIPPED
ROUTER BITS**



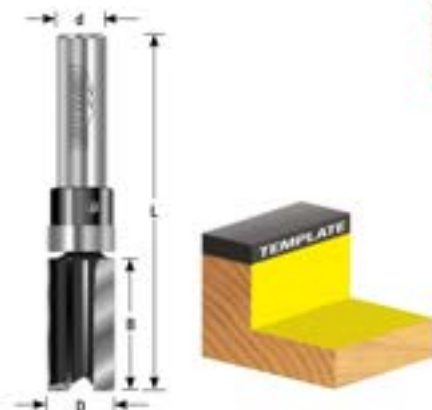
CARBIDE TIPPED
ROUTER BITS

PRO LINE

FLUSH TRIM PLUNGE

RECTA CON RODAMIENTO SUPERIOR

1/2" Shank • 2 Flute with Upper Ball Bearing Guide

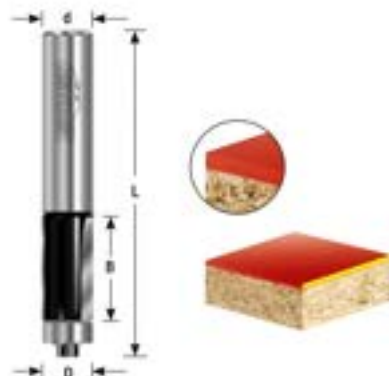


ØD	B	Ød	L	Bearing	Collar	Tool No.
3/4"	1"	1/2"	3"	47721	47739	120-20
3/4"	1-3/4"	1/2"	3-3/4"	47721	47739	120-24
1-1/8"	1-1/2"	1/2"	3-1/2"	47738	47740	120-28

FLUSH TRIM

RECORTE DE LAMINADOS CON RODAMIENTO

1/2" Shank • 2 and 3 Flute with Upper Ball Bearing Guide



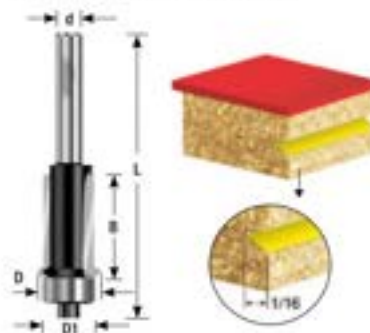
ØD	B	Ød	L	Flute	Bearing	Tool No.
1/2"	1/2"	1/2"	2-3/4"	2	47702	190-24
1/2"	1"	1/2"	3-1/4"	2	47702	190-26
1/2"	1-1/2"	1/2"	3-7/8"	2	47706	190-38
1/2"	2"	1/2"	4-1/4"	2	47706	190-42
3/4"	1"	1/2"	3-1/4"	2	47714	
190-50		3/4"	1"	1/2"	3-1/16"	
2.47714	190-51		1/2"	1"	1/2"	
3"	3	47706	190-34	1/2"	1-1/2"	

Replacement Screw #500-10.

FLUSH TRIM V-GROOVE

RECORTE CON RANURA EN V

1/4" & 1/2" • 2 Flute with Ball Bearing Guide



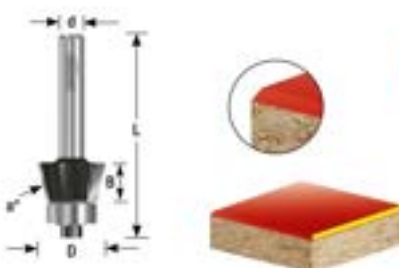
ØD	ØD1	B	Ød	L	Tool No.
5/8"	1/2"	1"	1/4"	2-1/2"	190-60
5/8"	1/2"	1"	1/2"	3"	190-62

Replacement Bearing #47706, Screw #500-10.

BEVEL TRIM

BISELDO

1/4" Shank • 2 Flute with Ball Bearing Guide



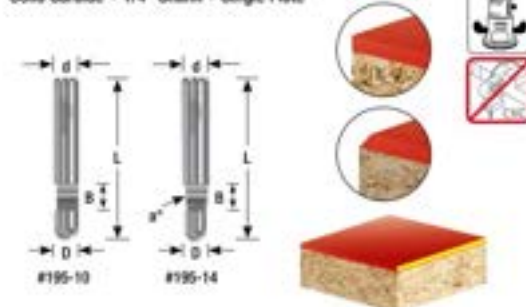
a"	ØD	B	Ød	L	Tool No.
7"	3/4"	7/16"	1/4"	2"	200-32
15"	5/8"	1/4"	1/4"	2"	200-10
23"	15/16"	7/16"	1/4"	2"	200-30
25"	23/32"	1/4"	1/4"	2"	200-14
45"	1"	1/4"	1/4"	2-1/16"	200-18

Replacement Bearing #47706, Screw #500-10, Key #5000.

FLUSH & BEVEL TRIM WITH PILOT

RECORTE CARBURO SOLIDO

Solid Carbide • 1/4" Shank • Single Flute



a"	ØD	B	Ød	L	Tool No.
Flush	1/4"	1/4"	1/4"	1-1/2"	195-10
7" Bevel	1/4"	1/4"	1/4"	1-1/2"	195-14

SOLID CARBIDE V-GROOVE

RANURADO EN V

1/4" Shank • 2 and 3 Flute



a°	ØD	B	Ød	Flute	L	Tool No.
60°	1/4"	7/32"	1/4"	2	1-1/2"	180-21
90°	1/4"	1/8"	1/4"	2	1-1/2"	180-08
60°	1/4"	7/32"	1/4"	3	2"	180-23

V-GROOVE

RANURADO EN V

1/4" and 1/2" Shank • 2 Flute



a°	ØD	B	Ød	L	Tool No.
60°	1/2"	5/8"	1/4"	1-3/4"	180-18
90°	3/8"	7/16"	1/4"	1-5/8"	180-10
90°	1/2"	1/2"	1/4"	1-3/4"	180-14
90°	3/4"	5/8"	1/2"	2-1/8"	180-20

V-GROOVE

RANURADO EN V CON RODAMIENTO

1/4" Shank • 2 Flute with Upper Ball Bearing Guide



a°	ØD	B	Ød	L	Tool No.
90°	1/2"	1/2"	1/4"	2"	180-70

Replacement Bearing #47701, Collar #47724.

SIGNMAKING & LETTERING

ROTULACION

1/4" Shank • 3 Flute



a°	ØD	B	Ød	L	Tool No.
60°	9/16"	7/16"	1/4"	2-1/4"	180-22

CORE BOX

MEDIA CAÑA

1/4" and 1/2" Shank • 2 Flute



1/4" Shank

R	ØD	B	Ød	L	Tool No.
1/16"	1/8"	3/8"	1/4"	1-3/4"	180-60 †
1/8"	1/4"	1/4"	1/4"	1-5/8"	180-10
3/16"	3/8"	1/4"	1/4"	1-1/2"	180-14
1/4"	1/2"	3/8"	1/4"	1-1/2"	180-18
5/16"	5/8"	7/16"	1/4"	1-11/16"	180-50
3/8"	3/4"	7/16"	1/4"	1-3/4"	180-22
1/2"	1"	5/8"	1/4"	1-7/8"	180-24

1/2" Shank

R	ØD	B	Ød	L	Tool No.
3/16"	3/8"	1/4"	1/2"	2"	180-62
1/4"	1/2"	3/8"	1/2"	2-1/8"	180-20
5/16"	5/8"	1/2"	1/2"	2"	180-64
3/8"	3/4"	7/16"	1/2"	2"	180-54
1/2"	1"	11/16"	1/2"	2-3/16"	180-58
5/8"	1-1/4"	3/4"	1/2"	2-5/16"	180-68 *

† Not guaranteed due to extremely small diameter.

* Use in table mounted router only! Not to be used in a handheld router.



PRO LINE

CARBIDE TIPPED
ROUTER BITS

TIMBERLINE



PRO LINE CARBIDE TIPPED ROUTER BITS

CORE BOX

MEDIA CAÑA CON RODAMIENTO

1/4" Shank • 2 Flute with Ball Bearing Guide



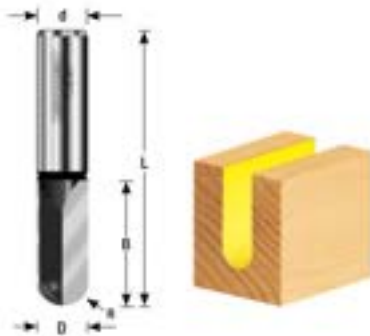
R	OD	B	Od	L	Tool No.
1/4"	1/2"	3/8"	1/4"	2"	160-70

Replacement Bearing #47701, Collar #47740.

CORE BOX EXTRA DEEP

MEDIA CAÑA CORTE PROFUNDO

1/2" Shank • 2 Flute



R	OD	B	Od	L	Tool No.
3/16"	3/8"	1"	1/2"	2-3/4"	160-80
1/4"	1/2"	1-1/4"	1/2"	2-3/4"	160-82
3/4"	1-1/2"	1-1/4"	1/2"	2-3/4"	160-84*

* Use in table mounted router only! Not to be used in a handheld router.

BOWL & TRAY

VASIJAS/BANDEJAS/CAJAS

1/2" Shank • 2 Flute



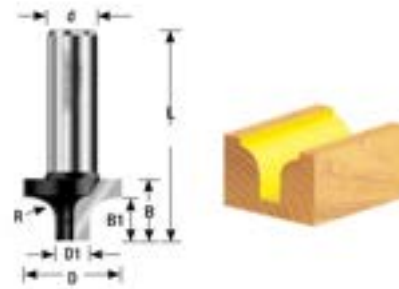
R	OD	B	Od	L	Tool No.
1/4"	3/4"	5/8"	1/2"	2-5/8"	170-10
1/4"	1-1/8"	5/8"	1/2"	2-5/8"	170-12



ROUND OVER GROOVE

RADIO CONCAVO

1/2" Shank • 2 Flute



R	OD	OD1	B	B1	Od	L	Tool No.
1/8"	3/8"	.125"	3/8"	1/4"	1/4"	1-3/4"	210-14
3/16"	5/8"	.250"	3/8"	1/8"	1/4"	1-3/4"	210-16
3/8"	1"	.250"	5/8"	15/32"	1/2"	2-1/8"	210-20
1/2"	1-3/8"	.363"	1"	3/4"	1/2"	2-1/2"	210-22*
9/16"	1-5/8"	.500"	1-1/4"	1"	1/2"	2-3/4"	210-23*

* Use in table mounted router only! Not to be used in a handheld router.



CLASSICAL GROOVE

PERFILAR

1/2" Shank • 2 Flute



R	R1	OD	B	Od	L	Tool No.
13/64"	1/4"	1"	11/16"	1/2"	3"	460-16



CLASSICAL PLUNGE

PERFILAR CON RODAMIENTO

1/4" Shank • 2 Flute with Ball Bearing Guide

Rout decorative grooves on solid wood or MDF panels and surfaces with a handheld router. Form edges with a hand router equipped with an edge guide, or on a router table. Shank-mounted bearing allows cuts to be guided by a template mounted atop the workpiece. Can be used with a template.



R	OD	OD1	B	Od	L	Tool No.
9/64	7/8"	.319	3/8"	1/4"	2"	450-12

Replacement Bearing #47796, Lock Ring #47746.

PLUNGE BEADING

PERFILAR

1/4" Shank • 2 Flute



R	OD	OD1	B	Od	L	Tool No.
3/32"	3/8"	3/16"	5/16"	1/4"	2"	450-04

OGEE GROOVE

PERFILAR

1/2" Shank • 2 Flute



R	OD	OD1	B	Od	L	Tool No.
9/64"	3/4"	1/4"	1/2"	1/2"	2"	450-60

CLASSICAL PLUNGE

PERFILAR

1/4" Shank • 2 Flute



R	R1	OD	B	Od	L	Tool No.
3/32"	9/64"	1/2"	7/16"	1/4"	2"	450-08

CLASSICAL PLUNGE

PERFILAR CON RODAMIENTO

1/2" Shank • 2 Flute with Ball Bearing Guide



R	R1	R2	OD	OD1	B	Od	L	Tool No.
13/64"	—	—	1-3/8"	.522"	9/16"	1/2"	2-5/8"	450-10
—	1/4"	13/32"	1-3/8"	—	9/16"	1/2"	2-5/8"	450-18

Replacement Bearing #47734, Collar #47740.



PRO LINE

CARBIDE TIPPED
ROUTER BITS

TIMBERLINE



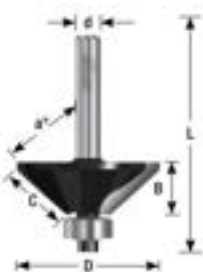
CARBIDE TIPPED
ROUTER BITS

PRO LINE

CHAMFER

BISELAR

1/4" & 1/2" Shank • 2 Flute with Ball Bearing Guide



a"	ØD	B	C	Ød	L	Bearing	Tool No.
15°	7/8"	3/4"	25/32"	1/4"	2-1/4"	47706	280-08
45°	1-1/4"	1/2"	5/8"	1/4"	2"	47704	280-10
22.5°	1-1/4"	7/8"	15/16"	1/2"	1-7/8"	47706	280-20
30°	1-3/8"	13/16"	7/8"	1/2"	2-3/4"	47706	280-42
45°	1-1/4"	1/2"	5/8"	1/2"	2-3/8"	47704	280-14
45°	2"	3/4"	1-1/8"	1/2"	2-3/4"	47706	280-28
45°	2-1/2"	1"	1-3/8"	1/2"	3"	47706	280-32

Replacement Screw #500-10.

BEADING

MOLDURA

1/4" & 1/2" Shank • 2 Flute with Ball Bearing Guide



R	ØD	B	Ød	L	Tool No.
3/16"	7/8"	1/2"	1/4"	2"	340-10
1/4"	1"	1/2"	1/4"	2"	340-14
5/16"	1-1/8"	1/2"	1/4"	2-1/16"	340-16
3/8"	1-1/4"	5/8"	1/4"	2-3/16"	340-18
1/2"	1-1/2"	3/4"	1/4"	2-1/4"	340-22
3/8"	1-1/4"	5/8"	1/2"	2-9/16"	340-28
1/2"	1-1/2"	3/4"	1/2"	2-9/16"	340-30

Replacement Bearing #47702, #500-10.

CORNER ROUND

REDONDEAR

1/4" Shank • 2 Flute with Ball Bearing Guide



R	ØD	B	Ød	L	Tool No.
1/16"	5/8"	5/16"	1/4"	1-3/4"	320-06
1/8"	3/4"	3/8"	1/4"	2"	320-10
5/32"	13/16"	3/8"	1/4"	2"	320-48
3/16"	7/8"	1/2"	1/4"	2"	320-14
1/4"	1"	1/2"	1/4"	2"	320-18
5/16"	1-1/8"	1/2"	1/4"	2-1/16"	320-20
3/8"	1-1/4"	5/8"	1/4"	2-3/16"	320-26
1/2"	1-1/2"	3/4"	1/4"	2-1/4"	320-34

Replacement Bearing #47706, Screw #500-10.

CORNER ROUND

REDONDEAR

1/2" Shank • 2 Flute with Ball Bearing Guide



R	ØD	B	Ød	L	Tool No.
1/8"	3/4"	3/8"	1/2"	2-5/16"	320-46
3/16"	7/8"	1/2"	1/2"	2-7/16"	320-50
1/4"	1"	1/2"	1/2"	2-7/16"	320-22
3/8"	1-1/4"	5/8"	1/2"	2-9/16"	320-30
1/2"	1-1/2"	3/4"	1/2"	2-5/8"	320-38
5/8"	1-3/4"	7/8"	1/2"	2-3/4"	320-54
3/4"	2"	1"	1/2"	2-7/8"	320-42
7/8"	2-1/4"	1-1/4"	1/2"	3-1/16"	320-56
1"	2-1/2"	1-1/4"	1/2"	3-3/16"	320-58*
1-1/4"	3"	1-1/2"	1/2"	3-1/4"	320-60*

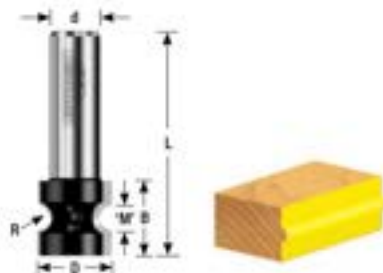
Replacement Screw #500-10.

* Use in table mounted router only! Not to be used in a handheld router.

BULLNOSE RADIUS

SEMICIRCULAR

1/2" Shank • 2 Flute



"M"	R	OD	B	Od	L	Tool No.
1/4"	9/64"	21/32"	3/4"	1/2"	2-1/4"	350-10
27/64"	13/64"	7/8"	3/4"	1/2"	2-1/4"	350-12
35/64"	17/64"	1-1/32"	1"	1/2"	2-1/2"	350-14
3/4"	3/8"	1-1/4"	1-5/16"	1/2"	2-3/4"	350-16
1"	1/2"	1-11/16"	1-9/16"	1/2"	3-1/16"	350-18

*"M" denotes thickness of material on which a full 180° roundover can be accomplished.

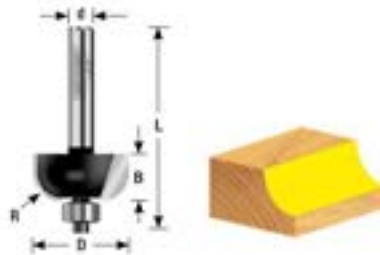
WARNING: Maximum RPM = 16,000 = 18,000



COVE

CONCAVA

1/4" & 1/2" Shank • 2 Flute with Ball Bearing Guide



R	OD	B	Od	L	Bearing	Tool No.
1/4"	7/8"	1/2"	1/4"	2"	47704	220-10
3/8"	1-1/8"	1/2"	1/4"	2"	47704	220-14
1/2"	1-3/8"	5/8"	1/4"	2-1/4"	47704	220-18
1/4"	7/8"	9/16"	1/2"	2-3/8"	47702	220-26
3/8"	1-1/8"	9/16"	1/2"	2-29/64"	47702	220-30
1/2"	1-3/8"	3/4"	1/2"	2-41/64"	47702	220-34
3/4"	2"	1"	1/2"	2-7/8"	47702	220-38

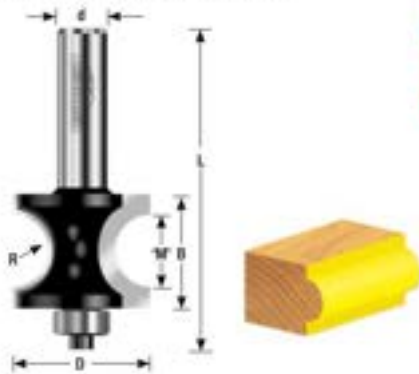
Replacement Screw #500-10.



BULLNOSE RADIUS

SEMICIRCULAR

1/2" Shank • 2 Flute with Ball Bearing Guide



"M"	R	OD	B	Od	L	Tool No.
3/4"	3/8"	1-3/8"	1-5/16"	1/2"	3-1/4"	350-20

Replacement Bearing #47706, Screw #500-10.

*"M" denotes thickness of material on which a full 180° roundover can be accomplished.

WARNING: Maximum RPM = 20,000

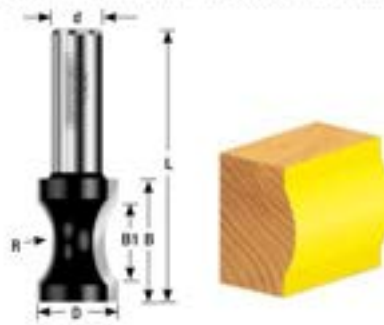


CONVEX EDGING

PERFILAR

1/2" Shank • 2 Flute

Cuts a shallow radius ("thumbnail" shape) on board edges.



R	OD	B	B1	Od	L	Tool No.
23/32"	13/16"	1-1/4"	27/32"	1/2"	2-3/4"	350-40



PRO LINE

CARBIDE TIPPED
ROUTER BITS

TIMBERLINE

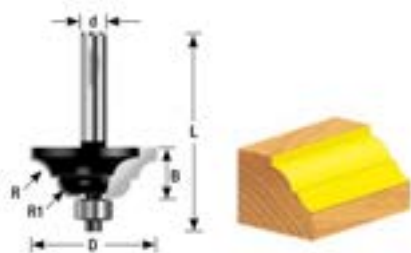


PRO LINE CARBIDE TIPPED
ROUTER BITS

CLASSICAL BEAD & COVE

MOLDURA

1/4" Shank • 2 Flute with Ball Bearing Guide



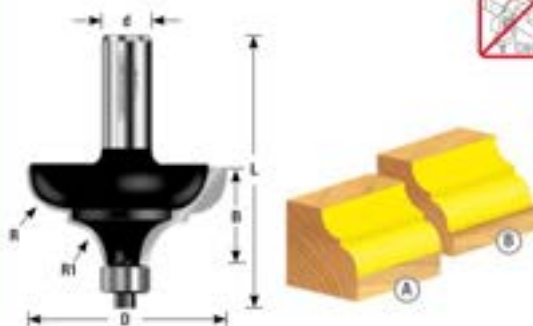
R	R1	ØD	B	Ød	L	Tool No.
3/16"	5/16"	1-1/4"	1/2"	1/4"	2"	360-10
15/64"	7/32"	1-1/2"	5/8"	1/4"	2-1/8"	360-14

Replacement Bearing #47706, Screw #500-10.

CLASSICAL COVE & BEAD

MOLDURA

1/4" & 1/2" Shank • 2 Flute with Ball Bearing Guide



R	R1	ØD	B	Ød	L	Tool No.
5/32"	5/32"	1-1/8"	1/2"	1/4"	2"	400-12
1/4"	3/16"	1-3/8"	11/16"	1/4"	2-3/16"	400-14
3/16"	5/16"	1-1/2"	11/16"	1/2"	2-1/2"	400-10
1/4"	3/16"	1-3/8"	11/16"	1/2"	2-9/16"	400-18

- (A) Standard 1/2" bearing #47706 (included).
- (B) Optional 3/8" bearing #47702 (order separately).

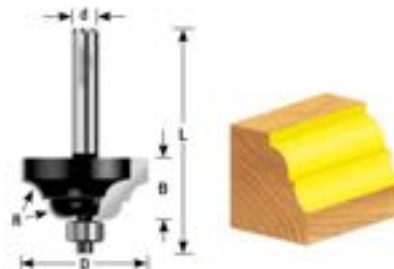


BEAD & COVE

MOLDURA

1/4" Shank • 2 Flute with Ball Bearing Guide

The reverse cove-and-bead bit, which has the cove coming off the bearing, produces the reverse of the classical cove and bead. Radii of both cove and bead are identical. Use in a handheld or table-mounted router.



R	ØD	B	Ød	L	Tool No.
1/4"	1-3/8"	7/8"	1/4"	2-1/4"	360-16

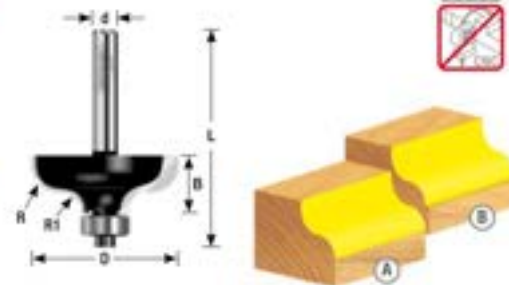
Replacement Bearing #47704.



OGEE

MOLDURA

1/4" & 1/2" Shank • 2 Flute with Ball Bearing Guide



R	R1	ØD	B	Ød	L	Tool No.
1/4"	3/16"	1-3/8"	11/16"	1/4"	2-3/16"	450-82
5/32"	5/32"	1-1/8"	1/2"	1/2"	2-3/8"	450-84
13/64"	1/8"	1-3/4"	25/64"	1/2"	2-7/16"	450-88

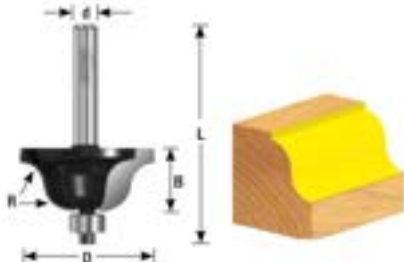
- (A) Standard 1/2" bearing #47706 (included).
- (B) Optional 3/8" bearing #47702 (order separately).

WARNING: Maximum RPM = 18,000

ROMAN OGEE

MOLDURA

1/4" Shank • 2 Flute with Ball Bearing Guide



R	OD	B	Od	L	Tool No.
5/32"	1"	15/32"	1/4"	2-1/8"	240-10
1/4"	1-3/8"	21/32"	1/4"	2-1/4"	240-18

Replacement Bearing #47704, Screw #500-10.

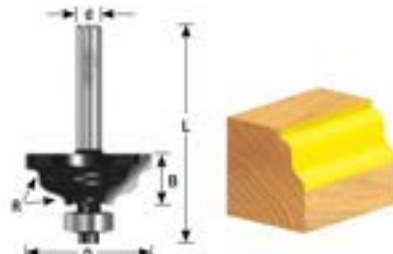
WARNING: Maximum RPM Δ = 18,000 Δ = 21,000



WAVY EDGE

MOLDURA

1/4" Shank • 2 Flute with Ball Bearing Guide



R	OD	B	Od	L	Tool No.
5/32"	1-1/4"	9/16"	1/4"	2-1/4"	380-10

Replacement Bearing #47706, Screw #500-10.

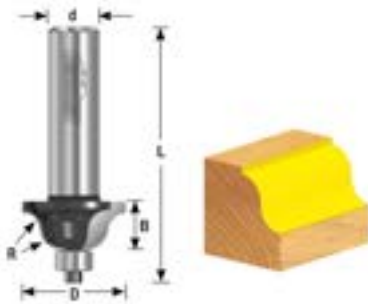
WARNING: Maximum RPM Δ = 18,000



ROMAN OGEE

MOLDURA

1/2" Shank • 2 Flute with Ball Bearing Guide



R	OD	B	Od	L	Tool No.
5/32"	1"	15/32"	1/2"	2-1/2"	240-14
1/4"	1-3/8"	7/8"	1/2"	2-5/8"	240-22

Replacement Bearing #47704, Screw #500-10.

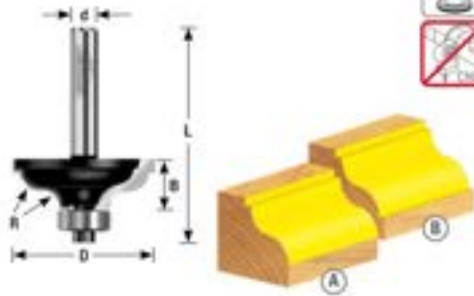
WARNING: Maximum RPM Δ = 18,000 Δ = 21,000



OGEE FILLET

MOLDURA

1/4" & 1/2" Shank • 2 Flute with Ball Bearing Guide



R	OD	B	Od	L	Tool No.
5/32"	1-3/8"	1/2"	1/4"	2-1/16"	450-70
3/8"	2-1/4"	15/16"	1/2"	2-7/8"	450-74

(A) Standard 1/2" bearing #47706 (included).

(B) Optional 3/8" bearing #47702 (order separately).

WARNING: Maximum RPM Δ = 16,000 Δ = 18,000



PRO LINE

CARBIDE TIPPED
ROUTER BITS

TIMBERLINE



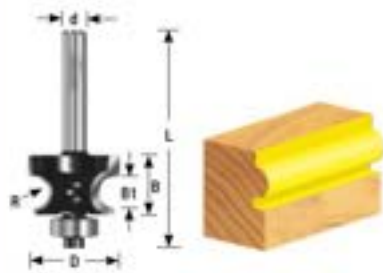
CARBIDE TIPPED
ROUTER BITS

PRO LINE

CORNER EDGE BEADING

MOLDURA

1/4" Shank • 2 Flute with Ball Bearing Guide



R	OD	B	B1	Od	L	Tool No.
1/8"	7/8"	1/2"	1/4"	1/4"	2-1/8"	370-10
3/16"	1-1/8"	11/16"	3/8"	1/4"	2-1/4"	370-14

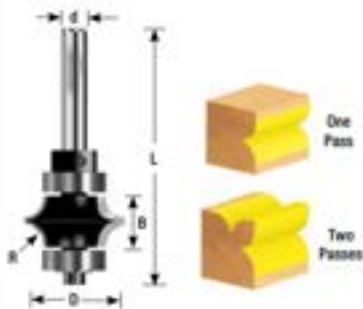
Replacement Bearing #47706, Screw #500-10

WARNING: Maximum RPM Δ = 21,000

LEAF EDGE BEADING

MOLDURA

1/4" Shank • 2 Flute with Ball Bearing Guide



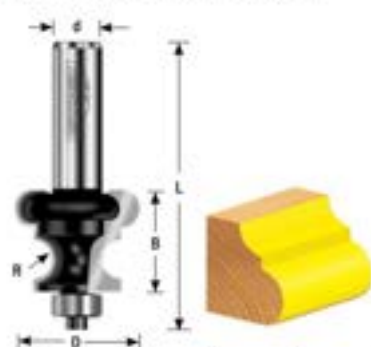
R	OD	B	Od	L	Tool No.
3/16"	1"	1/2"	1/4"	2-1/2"	390-30

Replacement Bearing 47712 (2), Collar #47724

MATCHED BEAD

PERFILAR

1/2" Shank • 2 Flute with Ball Bearing Guide



R	OD	B	Od	L	Tool No.
3/16"	1-1/4"	1"	1/2"	2-7/8"	390-16

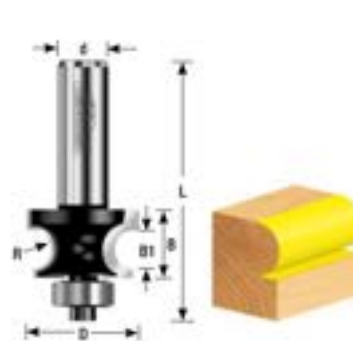
Replacement Bearing #47706, Screw #500-10

WARNING: Maximum RPM Δ = 18,000

CORNER EDGE BEADING

MOLDURA

1/2" Shank • 2 Flute with Ball Bearing Guide



R	OD	B	B1	Od	L	Tool No.
1/8"	7/8"	9/16"	1/4"	1/2"	2-1/2"	370-12
3/16"	1-1/8"	11/16"	3/8"	1/2"	2-5/8"	370-16
1/4"	1-1/4"	3/4"	1/2"	1/2"	2-5/8"	370-18

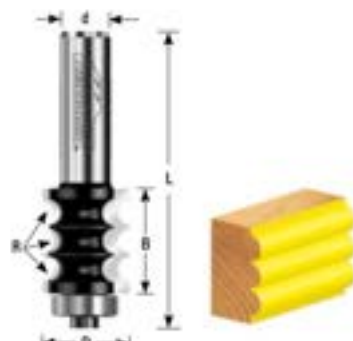
Replacement Bearing #47716

WARNING: Maximum RPM Δ = 18,000 Δ = 21,000

TRIPLE BEAD

PERFILAR

1/2" Shank • 2 Flute with Ball Bearing Guide



R	OD	B	Od	L	Tool No.
1/8"	7/8"	1"	1/2"	3"	390-40

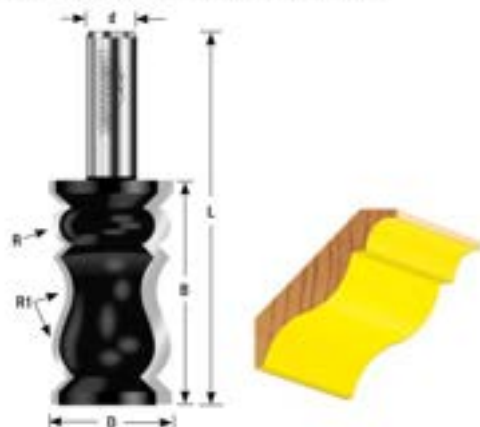
Replacement Bearing #47716

CROWN MOLDING

CORNISA

1/2" Shank • 2 Flute

Produce a mid-sized crown molding profile for architectural and furniture applications. This bit cuts the profile and bevel, as necessary, which is the show face of the workpiece. Bevel the top and bottom edges on the table saw to complete the molding. Use a 2+ horsepower router, mounted in a table, with a fence to guide the work. To get the best cut finish, make several passes to achieve full cut depth. Bevel back edges, cutting off 45° excess, with one of our chamfer bits.



R	R1	ØD	B	Ød	L	Tool No.
3/16"	7/16"	1-1/4"	2-1/4"	1/2"	3-3/4"	420-90

Replacement Bearing #47706

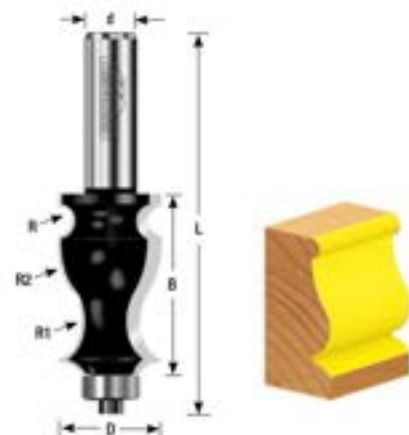
WARNING: Maximum RPM Δ = 18,000

ARCHITECTURAL MOLDING

MOLDURA ARQUITECTÓNICA

1/2" Shank • 2 Flute with Ball Bearing Guide

This bit is designed for routing architectural and furniture moldings and trim. The profile is laid out vertically, reducing the diameter of the bit. This bit should be used in a 2+ horsepower, table-mounted router, and should be run at reduced speed. Although it has a ball-bearing guide, guiding the cuts with the fence is recommended.



R	R1	R2	ØD	B	Ød	L	Tool No.
1/8"	7/8"	3/8"	1"	1-11/16"	1/2"	3-1/4"	390-22

Replacement Bearing #47706

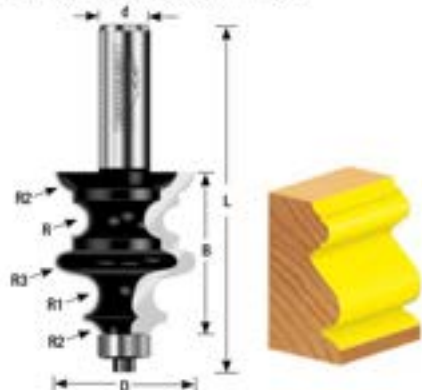
WARNING: Maximum RPM Δ = 18,000

ARCHITECTURAL CROWN MOLDING

CORNISA

1/2" Shank • 2 Flute

This bit is designed for routing architectural and furniture moldings and trim. The profile is laid out vertically, reducing the diameter of the bit. This bit should be used in a 2+ horsepower, table-mounted router, and should be run at reduced speed. Although it has a ball-bearing guide, guiding the cuts with the fence is recommended.



R	R1	R2	R3	ØD	B	Ød	L	Tool No.
1/8"	3/32"	1/4"	7/16"	1-3/8"	1-5/8"	1/2"	3-1/2"	420-70

Replacement Bearing #47706

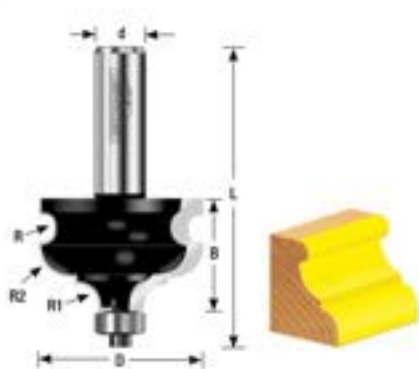
WARNING: Maximum RPM Δ = 18,000

SPECIAL INTEREST MOLDING

MOLDURA

1/2" Shank • 2 Flute with Ball Bearing Guide

Designed for routing architectural and furniture moldings and trim, this bit should be used in a 2+ horsepower, table-mounted router, and should be run at reduced speed. Although it has a ball-bearing guide, guiding the cuts with a fence is recommended.



R	R1	R2	ØD	B	Ød	L	Tool No.
1/8"	3/8"	1/4"	1-5/8"	1-1/8"	1/2"	3"	420-62

Replacement Bearing #47706

WARNING: Maximum RPM Δ = 18,000

TIMBERLINE



PRO LINE
CARBIDE TIPPED
ROUTER BITS



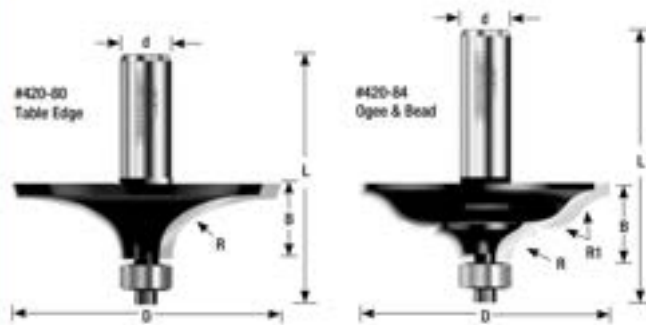
CARBIDE TIPPED
ROUTER BITS

PRO LINE

TABLE EDGE BITS

PERFILAR

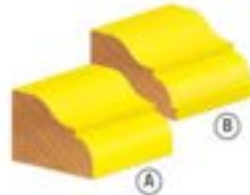
1/2" Shank • 2 Flute with Ball Bearing Guide



R	R1	ØD	B	Ød	L	Tool No.
1-3/4"	—	2-3/4"	5/8"	1/2"	2-1/2"	420-80
3/8"	1/4"	2-1/2"	3/4"	1/2"	2-3/4"	420-84

- (A) Standard 1/2" bearing #47706 (included).
- (B) Optional 3/8" bearing #47702 (order separately).

⚠ **WARNING:** Maximum RPM ⚠ = 16,000



MULTI-FORM

MULTIPERFIL

1/2" Shank • 2 Flute with Ball Bearing Guide



R	ØD	B	Ød	L	Tool No.
15/64"	2-1/4"	1-7/8"	1/2"	4"	390-10

Replacement Bearing #47706, Screw #500-10.

⚠ **WARNING:** Maximum RPM ⚠ = 12,000



Multi-Form Profiles (Not shown to scale.)

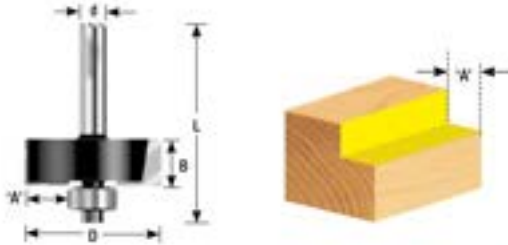


MULTI-RABBET SETS

JUEGOS REBAJADORES

1/4" & 1/2" Shank • 2 Flute with Ball Bearing Guide

The Multi-Rabbet bit steps in 1/16" increments from a 5/16" cut width to 1/2", simply by switching ball-bearing guides. Four different bearings are provided. Depth of cut capacity of 1/2". Use in any handheld or table-mounted router.



ØD	'A'	B	Ød	L	Tool No.
1-3/8"	7/16", 3/8", 5/16", 1/2"	1/2"	1/4"	2"	210-10
1-3/8"	7/16", 3/8", 5/16", 1/2"	1/2"	1/2"	2-3/8"	210-12

Replacement Parts:

'A'	B	Bearing
1/2" Rabbet	3/8"	47702
7/16" Rabbet	1/2"	47706
3/8" Rabbet	5/8"	47718
5/16" Rabbet	3/4"	47720

Replacement Screw #67094, Washer #67202.

WARNING: Maximum RPM Δ = 18,000

RABBETING BITS

REBAJES/ENCAJES CON RODAMIENTO

1/4" & 1/2" Shank • 2 Flute with Ball Bearing Guide



ØD	'A'	B	Ød	L	Tool No.
1-1/4"	3/8"	5/16"	1/4"	2"	260-11
1-1/4"	3/8"	1/2"	1/4"	2"	260-10
1-1/4"	3/8"	1/2"	1/2"	2-3/8"	260-14

Replacement Bearing #47706, Screw #500-10.

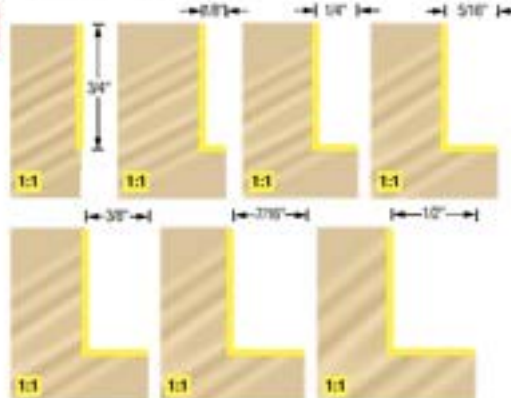
WARNING: Maximum RPM Δ = 18,000

RABBET SET

JUEGO REBAJADOR CON RODAMIENTO

1/2" Shank • 2 Flute with Ball Bearing Guide

Perfect for any size cabinet shop. Micro-grain carbide tips and a 3/4" cutting length with an aggressive shear for chip-free cutting in today's "highly abrasive" materials. Cuts seven sizes ranging from flush to 1/2" rabbet.



ØD	'A' (Rabbet Depth)	B	Ød	L	Tool No.
1-3/8"	Multi-Depth Rabbet Set	3/4"	1/2"	2-15/16"	260-40

Includes Rabbets: Flush, 1/8", 1/4", 5/16", 3/8", 7/16", 1/2"

Replacement Screw #500-10.

WARNING: Maximum RPM Δ = 18,000

TIMBERLINE



PRO LINE

CARBIDE TIPPED
ROUTER BITS



PRO LINE CARBIDE TIPPED ROUTER BITS

DOVETAIL

COLA MILANO

1/4" & 1/2" Shank • 2 Flute



a"	ØD	B	Ød	L	Tool No.
9"	3/8"	3/8"	1/4"	1-3/4"	150-08
14"	1/2"	1/2"	1/4"	1-3/4"	150-10
7"	7/8"	7/8"	1/2"	2-3/8"	150-20
14"	1/2"	1/2"	1/2"	2-3/8"	150-14



SLOTING CUTTER

RANURADO

1/2" Shank • 3-Wing



ØD	B	'A'	Ød	L	Tool No.
2-1/8"	3mm	11/16"	1/2"	2-13/64"	270-34

⚠ WARNING: Maximum RPM Δ = 16,000



DOVETAIL

COLA MILANO CON RODAMIENTO

1/4" Shank • 2 Flute with Upper Ball Bearing Guide



a"	ØD	B	Ød	L	Tool No.
14"	1/2"	1/2"	1/4"	2-1/4"	150-70

Replacement Bearing #47701, Collar #47724.



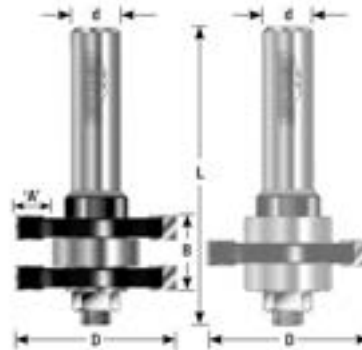
TONGUE & GROOVE ASSEMBLY

LENGUETA Y RANURA

1/2" Shank • 2 Flute with Ball Bearing Guide

One bit set includes: 2 cutters, 2 bearings and 1 arbor.

5/8"
Material/Materiales



'A'	ØD	B	Ød	L	Tool No.
3/8"	1-5/8"	3/4"	1/2"	3"	460-10

Replacement Bearing #47708.

⚠ WARNING: Maximum RPM Δ = 18,000



SLOTING CUTTER ASSEMBLIES

CORTADORA DE RANURADO-3 ALAS

1/4" Shank • 3-Wing with Ball Bearing Guide

Includes cutter, arbor and ball bearing.



ØD	B	3-Wing Cutter Only	Ød	L	Assembly Tool No.
1-7/8"	1/16"	270-40	1/4"	2-1/8"	270-10
1-7/8"	5/64"	270-42	1/4"	2-1/8"	270-20
1-7/8"	3/32"	270-44	1/4"	2-1/8"	270-22
1-7/8"	1/8"	270-46	1/4"	2-1/8"	270-12
1-7/8"	5/32"	270-48	1/4"	2-1/8"	270-14
1-7/8"	3/16"	270-50	1/4"	2-1/8"	270-24
1-7/8"	1/4"	270-52	1/4"	2-1/8"	270-16

Arbor with Nuts and Washer 1/2" Dia. x 2-5/8" Long #279-62

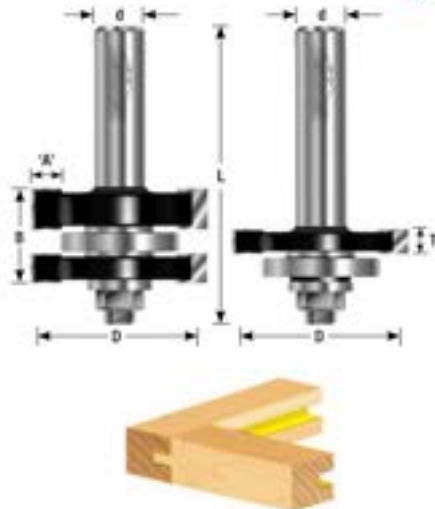


TONGUE & GROOVE 2-PIECE SET

LENGUETA Y RANURA

1/2" Shank • 2 Flute with Ball Bearing Guide

1"
Material/Materiales



A	Od	B	T	Od	L	Tool No.
1/4" & 1/2"	1-3/4"	1-1/8"	1/4"	1/2"	2-3/4"	440-32

Replacement Bearing #47763 and #47759.

WARNING: Maximum RPM Δ = 18,000

GLUE JOINT

ENSAMBLE

1/2" Shank • 2 Flute

Second piece is cut 'upside-down' to the first for a perfect fit. There is no need to realign the router depth, provided that the wood is centered to the cutting edge of the bit.



3/4" to 1"
Material/Materiales



Od	B	Od	L	Tool No.
1-7/8"	1-3/32"	1/2"	2-5/8"	470-10

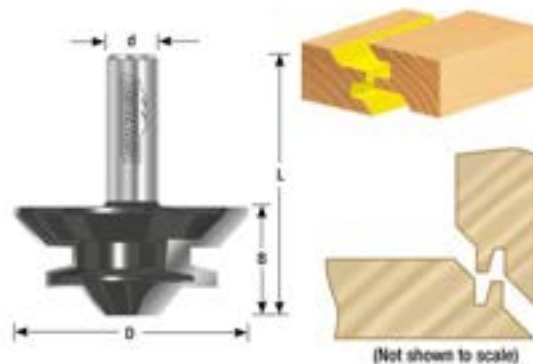
WARNING: Maximum RPM Δ = 18,000

45° LOCK MITER

ENSAMBLE

1/2" Shank • 2 Flute

First piece is cut flat (horizontal) and the second is cut perpendicular (vertical) to the first for a perfect fit. There is no need to re-align the router depth, provided that the wood is centered to the cutting edge of the bit. Not recommended for use in a pin router nor a router table unless the length of your material can be handled easily.



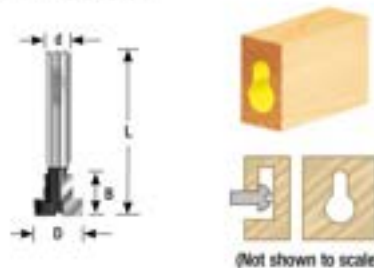
Od	B	Od	L	Tool No.
2-11/16"	1-3/16"	1/2"	2-5/8"	490-10

WARNING: Maximum RPM Δ = 18,000

KEYHOLE

OJO DE CERRADURA

1/4" Shank • Single Flute



Od	B	Od	L	Tool No.
3/8"	3/8"	1/4"	1-1/2"	140-10
1/2"	1/2"	1/4"	1-1/2"	140-14

PRO LINE CARBIDE TIPPED
ROUTER BITS

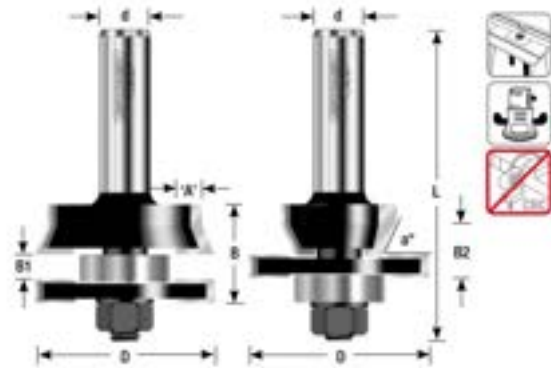
SHAKER STILE & RAIL 2-PIECE SET

2 PIEZAS MOLDURA Y RIEL

1/2" Shank • 2 Flute with Ball Bearing Guide

3/4" to 15/16"

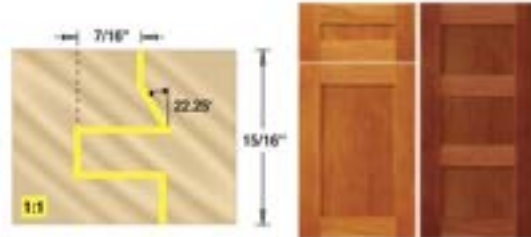
Material/Materiales



a°	'A'	ØD	B	B1	B2	Ød	L	Tool No.
22.25°	7/16"	1-3/4"	15/16"	7/32"	45/64"	1/2"	3"	440-18

Replacement Bearing #47708.

⚠ WARNING: Maximum RPM ⚠ = 18,000



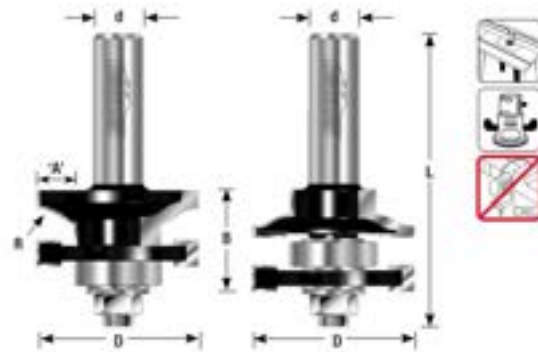
OGEE STILE & RAIL 2-PIECE SET

2 PIEZAS MOLDURA Y RIEL

1/2" Shank • 2 Flute with Ball Bearing Guide

3/4" to 1"

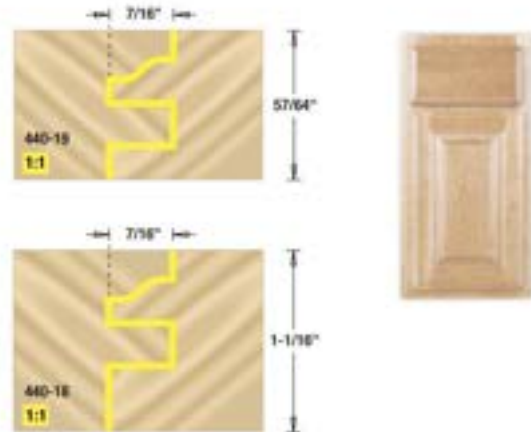
Material/Materiales



'A'	ØD	B	Ød	R	L	Tool No.
7/16"	1-3/4"	57/64"	1/2"	9/32"	3"	440-19
7/16"	1-5/8"	1-1/16"	1/2"	9/32"	2-29/32"	440-18

Replacement Bearing #47708.

⚠ WARNING: Maximum RPM ⚠ = 18,000



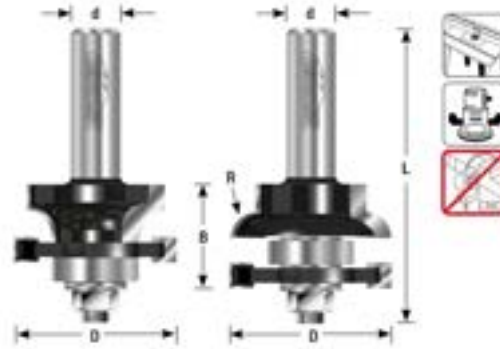
CONCAVE STILE & RAIL 2-PIECE SET

2 PIEZAS MOLDURA Y RIEL

1/2" Shank • 2 Flute with Ball Bearing Guide

3/4" to 1"

Material/Materiales



1-1/16"



R	Ød	B	Ød	L	Tool No.
1/4"	1-5/8"	1-1/16"	1/2"	3-5/16"	440-14

Replacement Bearing #47700.

WARNING: Maximum RPM \leq 18,000

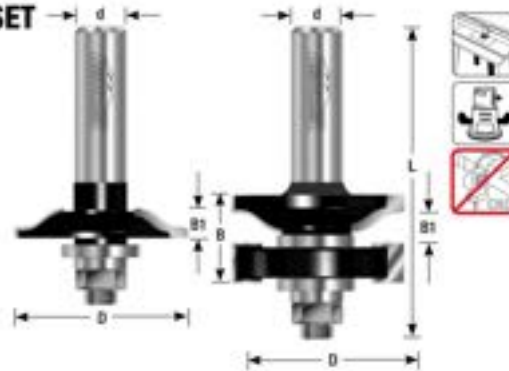
OGEE PROFILE FOR GLASS DOOR 2-PIECE SET

2 PIEZAS MOLDURA Y RIEL

1/2" Shank • 2 Flute with Ball Bearing Guide

3/4" to 27/32"

Material/Materiales



27/32"



Ød	B	B1	Ød	L	Tool No.
1-5/8"	27/32"	7mm	1/2"	3"	440-34

Replacement Bearing #47721.

WARNING: Maximum RPM \leq 18,000



PROLINE

CARBIDE TIPPED
ROUTER BITS

TIMBERLINE

CLASSICAL STILE & RAIL 2-PIECE SET

2 PIEZAS MOLDURA Y RIEL

1/4" Shank • 2 Flute with Ball Bearing Guide

3/4" to 1"

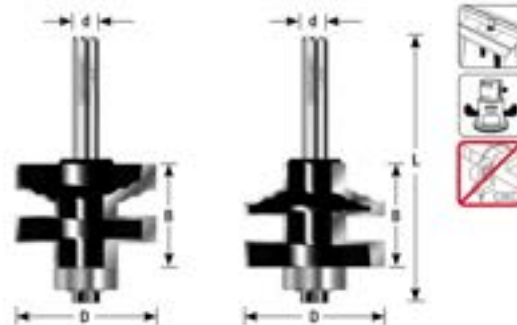
Material/Materiales



ØD	B	Ød	L	Tool No.
1-3/8"	1"	1/4"	3"	440-26

Replacement Bearing #47712, Screw #500-10.

WARNING: Maximum RPM Δ = 18,000



OGEE STILE & RAIL 2-PIECE SET

2 PIEZAS MOLDURA Y RIEL

1/4" Shank • 2 Flute with Ball Bearing Guide

3/4" to 1"

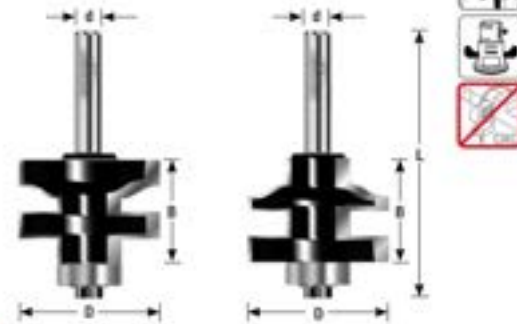
Material/Materiales



ØD	B	Ød	L	Tool No.
1-3/8"	1"	1/4"	3"	440-24

Replacement Bearing #47712, Screw #500-10.

WARNING: Maximum RPM Δ = 18,000



REVERSIBLE TRADITIONAL STILE & RAIL

REVERSIBLE MOLDURA Y RIEL

1/2" Shank • 2-Wing with Ball Bearing Guide

15/16"

Material/Materiales



Switch from the stile cut to the rail cut simply by rearranging the cutters and bearing on the arbor. Because the profile and the cope are cut with the same cutter, you get a perfect fit. Use in a table-mounted router. Includes shims. Comes with complete instructions.

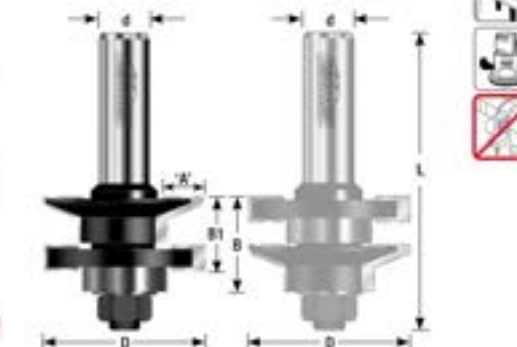
'A'	ØD	B	B1	Ød	L	Tool No.
3/8"	1-5/8"	11/16"	7/8"	1/2"	3"	460-18

Note: Stile & Rail assemblies can be used on 5/8" through 7/8" material.

Tongue & Groove can be used on 1/2" through 3/4" material.

Replacement Bearing #47706.

WARNING: Maximum RPM Δ = 18,000



Cut both stiles and rails with this single economical assembly.



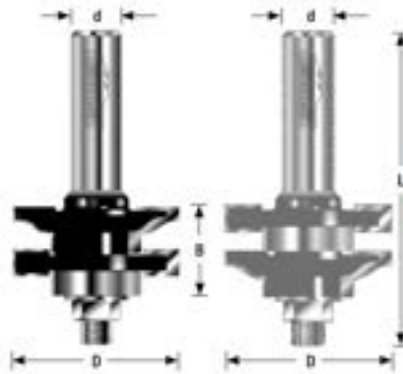
REVERSIBLE OGEE STILE & RAIL

REVERSIBLE MOLDURA Y RIEL

1/2" Shank • 2 Flute with Ball Bearing Guide

3/4" to 7/8"

Material/Materiales



ØD	B	Ød	L	Tool No.
1-5/8"	7/8"	1/2"	3"	440-10

Replacement Bearing #4770L

⚠ WARNING: Maximum RPM ⚠ = 18,000

OGEE WINDOW SASH & RAIL

MARCOS DE VENTANAS

1/2" Shank • 2-Wing with Ball Bearing Guide

3/4" to 1-3/4"

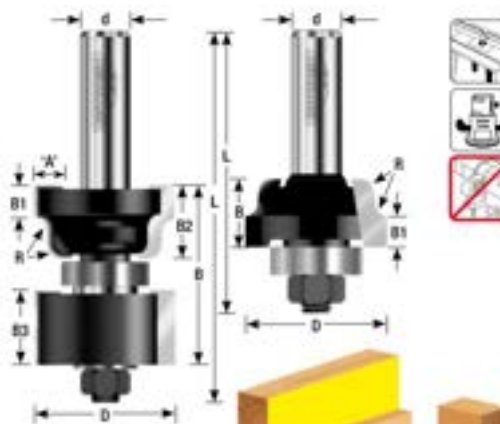
Material/Materiales

Designed to cut window sash and glass door parts, including rails, stiles, mullions, and muntins. Assembly includes an ogee profile cutter, a rabbet cutter, one bearing, a 1/2" shank arbor, spacers, shims, and washers. Configure as shown in the drawing to cut profile and rabbet on all parts. Switch bearing and profile cutter and replace rabbet cutter with spacers to rout the copes. Use in a table-mounted router.



'A'	R	ØD	B	B1	B2	B3	Ød	L	Tool No.
1/4"	1/8"	1-3/8"	1-13/16"	5/16"	5/8"	7/8"	1/2"	3-3/4"	420-60
—	1/8"	1-3/8"	43/64"	5/16"	—	—	1/2"	2-3/4"	420-61

⚠ WARNING: Maximum RPM ⚠ = 18,000



RAISED PANEL - OGEE

PANEL DE PUERTA

1/2" Shank • 2 Flute with Ball Bearing Guide

Build quality ogee raised panels for your cabinet doors.



'A'	R	ØD	B	B1	Ød	L	Tool No.
1-1/16"	3/4"	2-5/8"	5/8"	5/16"	1/2"	2-1/2"	420-10
1-1/2"	7/8"	3-3/8"	1/2"	5/16"	1/2"	2-7/16"	420-22

Replacement Bearing #47712, Screw #500-10.

⚠ WARNING: Maximum RPM ⚠ = 12,000 ⚠ = 16,000

TIMBERLINE

PROLINE CARBIDE TIPPED
ROUTER BITS



CARBIDE TIPPED
ROUTER BITS

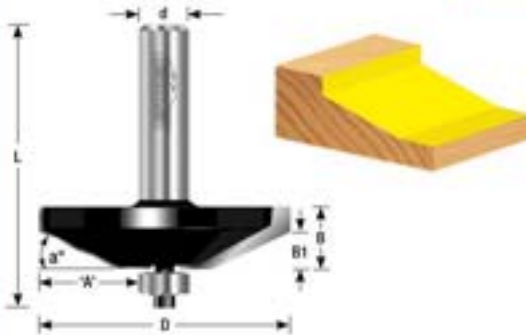
PROLINE

TRADITIONAL RAISED PANEL

PANEL DE PUERTA

1/2" Shank • 2 Flute with Ball Bearing Guide

Create raised panels for cabinet doors, frame-and-panel furniture, and architectural paneling.



a"	'A'	ØD	B	B1	Ød	L	Tool No.
15"	1-7/16"	3-3/8"	1/2"	5/16"	1/2"	2-15/32"	420-30

Replacement Bearing #47706, Screw #500-10.

WARNING: Maximum RPM Δ = 12,000

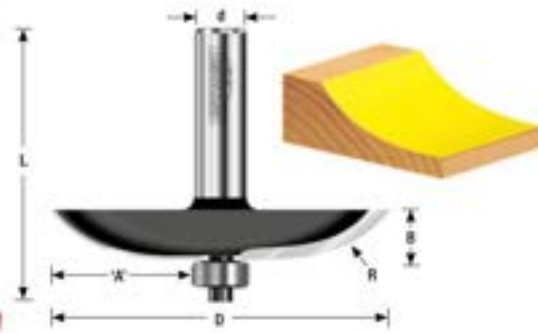
COVE RAISED PANEL

PANEL DE PUERTA

1/2" Shank • 2 Flute with Ball Bearing Guide

Create raised panels for cabinet doors, frame-and-panel furniture, and architectural paneling with a raised-panel bit.

The cutter forms a fillet to delineate the raised field, a shaped band around the field, and an integral tongue to fit the panel groove in the frame members. The profile contour and the reveal width varies. Must be used in a table-mounted 3+ horsepower router and run at reduced speed. Use this bit for panels with curved edges. Multiple passes recommended.



'A'	R	ØD	B	Ød	L	Tool No.
1-7/16"	1-9/16"	3-3/8"	1/2"	1/2"	2-3/8"	460-12
1-1/2"	1-37/64"	3-1/2"	21/32"	1/2"	2-9/16"	460-13

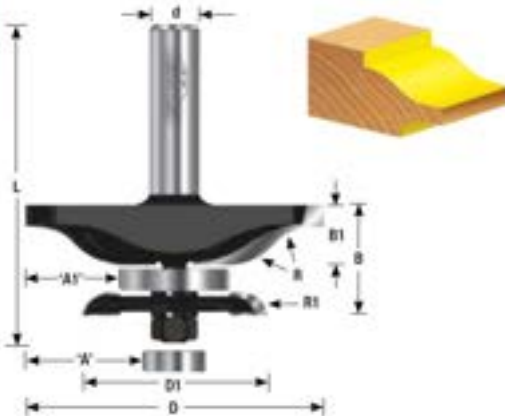
Replacement Bearing #47706.

WARNING: Maximum RPM Δ = 12,000

OGEE RAISED PANEL W/BACK CUTTER

PANEL DE PUERTA CON CORTADORA

1/2" Shank • 2 Flute with Ball Bearing Guide



'A'	'A1'	R	R1	ØD	ØD1	B	B1	Ød	L	Tool No.
1-3/8"	1-1/16"	7/8"	5/16"	3-3/8"	2-1/8"	1-3/16"	5/8"	1/2"	3-1/8"	420-50

Replacement Bearing #47713 (8mm x 16mm) for 'W' reveal.

Replacement Bearing #47763 (8mm x 1-1/4") included for 'A1' reveal.

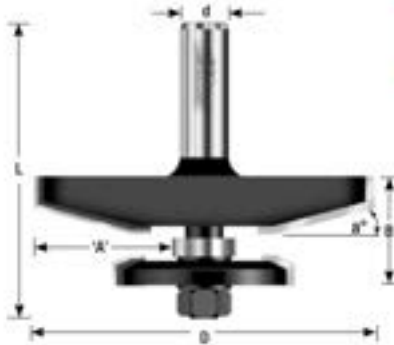
WARNING: Maximum RPM Δ = 12,000



TRADITIONAL RAISED PANEL W/BACK CUTTER

PANEL DE PUERTA CON CORTADORA

1/2" Shank • 2 Flute with Ball Bearing Guide



a	A	OD	B	Bd	L	Tool No.
15°	1-7/16"	3-1/2"	1-1/8"	1/2"	3"	420-54

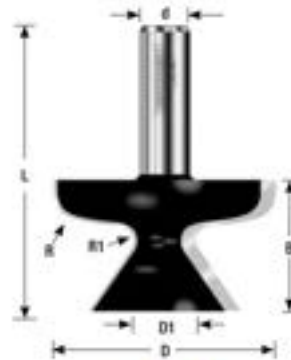
⚠ WARNING: Maximum RPM ⚠ = 12,000



FINGER GRIP

AGARRE DE PUERTA

1/2" Shank • 2 Flute



R	R1	OD	OD1	B	Bd	L	Tool No.
1/4"	3/16"	2"	3/4"	1-1/4"	1/2"	2-3/4"	480-20

⚠ WARNING: Maximum RPM ⚠ = 18,000



DOOR LIP

AGARRE DE PUERTA

1/2" Shank • 2 Flute



Corner round and taper rabbet.

R	OD	B	Bd	L	Tool No.
3/8"	2"	1-3/16"	1/2"	2-3/4"	480-10

⚠ WARNING: Maximum RPM ⚠ = 18,000



PRO LINE

CARBIDE TIPPED
ROUTER BITS

TIMBERLINE

Router Bit Sets

Carbide Tipped

- Cabinet Door Making
- Entry Door Making
- Moldings & More



PRO LINE

3-PIECE OGEE RAISED PANEL SET

3-PIEZAS JUEGO DE BROCAS/FRESAS

Set was designed for raised panels on cabinet doors, frame and panel furniture and architectural paneling. Use only in a table-mounted router; the panel-raiser must be run at reduced RPM's.

3/4" to 1"
Material/Materiales



Set #TRS-260

1/2" Shank Set Includes

1-5/8" Dia. 2-piece Ogee Stile & Rail bit set

3-3/8" Dia. Ogee Raised Panel bit

Tool No.

440-18

420-22

For detailed tool specifications, see router bit section of catalog.

WARNING: Maximum RPM Δ = 12,000 Δ = 18,000

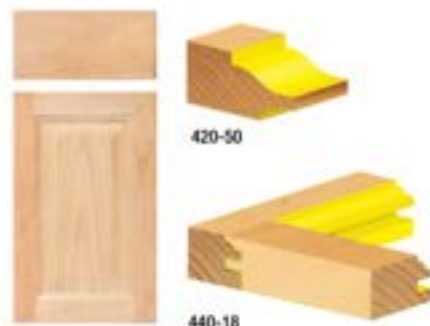


3-PIECE OGEE RAISED PANEL SET WITH BACK CUTTER

3-PIEZAS JUEGO DE BROCAS/FRESAS

This easy-to-use set combines the two piece stile-and-rail cutter set with a large-diameter horizontal panel-raising bit with back cutter that produces a 1-7/16" reveal. Both joinery-cutters and the panel-raiser feature the cove profile. Use only in a table-mounted router; the panel-raiser must be run at reduced RPM's.

3/4" to 1"
Material/Materiales



Set #TRS-250

1/2" Shank Set Includes

1-5/8" Dia. 2-piece Ogee Stile & Rail bit set

3-3/8" Dia. Ogee Raised Panel bit with back cutter

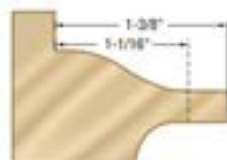
440-18

420-50*

*Includes extra ball bearing #47713.

For detailed tool specifications, see router bit section of catalog.

WARNING: Maximum RPM Δ = 12,000 Δ = 18,000



(Not shown to scale)

12-PIECE ALL PURPOSE SET

12-PIEZAS JUEGO DE BROCAS/FRESAS



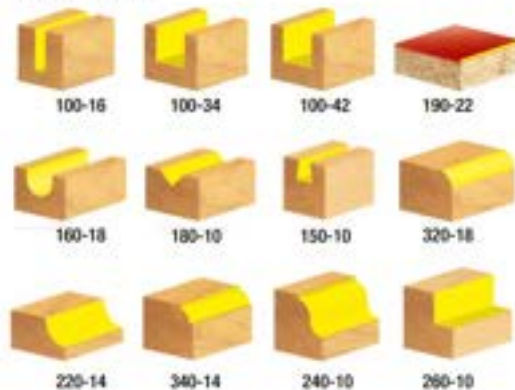
Set #TRS-120

1/4" Shank Set Includes

	Tool No.
1/4" Dia. Plunge, 3/4" cutting length	100-16
3/8" Dia. Plunge, 1" cutting length	100-34
1/2" Dia. Plunge, 1" cutting length	100-42
1/2" Dia. Flush Trim, 1/2" cutting length	190-22
1/2" Dia. Core Box, 3/8" cutting length	160-18
1/4" Radius, 90° V Groove, 7/16" cutting length	180-10
1/2" Dia. 14° Dovetail, 1/2" cutting length	150-10
1/4" Radius Corner Round, 1/2" cutting length	320-18
1-1/8" Dia. Cove, 1/2" cutting length	220-14
1/4" Radius Beading, 1/2" cutting length	340-14
5/32" Radius Roman Ogee, 15/32" cutting length	240-10
3/8" Depth of cut Rabbeting	260-10

For detailed tool specifications, see router bit section of catalog.

TRS-120 set includes:



6-PIECE ALL PURPOSE SET

6-PIEZAS JUEGO DE BROCAS/FRESAS



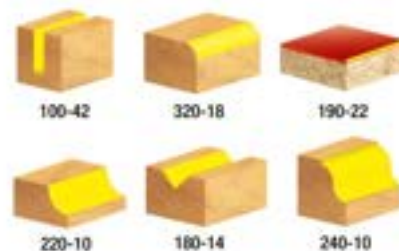
Set #TRS-240

1/4" Shank Set Includes

	Tool No.
1/2" Dia. Straight, 1" cutting length	100-42
1/4" Radius Corner Round	320-18
1/2" Dia. Flush Trim, 1/2" cutting length	190-22
1/4" Radius Cove	220-10
90° V Groove, 1/2" cutting length	180-14
5/32" Radius Roman Ogee	240-10

For detailed tool specifications, see router bit section of catalog.

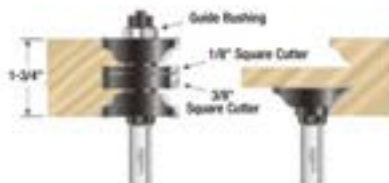
TRS-240 set includes:



3-PIECE ENTRY & PASSAGE DOOR MAKING SET

3-PIEZAS JUEGO DE BROCAS/FRESAS

This extended tenon door bit set is an effective way to produce stile & rail architectural doors with authentic mortise-and tenon joinery. The bits can be adjusted by simply removing or adding the extra cutter. Shims are provided so that you can fine tune the fit if necessary.



Includes full-color instructions



440-20



240-30



Set #TRS-290

1/2" Shank Set Includes

3-Piece is designed for 1-5/8" thick passage doors and pre-assembled for 1-3/4" thick entry doors.

WARNING: Maximum RPM Δ = 16,000

Tool No.

TRS-290



1-3/8" to 1-5/8"
Material/Materiales

3-PIECE OFFSET TONGUE & GROOVE FOR FACE FRAMES SET

3-PIEZAS JUEGO DE BROCAS/FRESAS

This set enables you to construct your own beautiful mission style and shaker cabinet doors.



190-24



440-32



Set #TRS-130

1/2" Shank Set Includes

1/2" Dia. Flush Trim bit with 1/2" cutting length
1-3/4" Dia. Tongue & Groove bit set

*Includes two (2) extra bearings #47708

For detailed tool specifications, see router bit section of catalog.

WARNING: Maximum RPM Δ = 16,000

Tool No.

190-24

440-32



1" to 1-1/8"
Material/Materiales



3-PIECE COVE RAISED PANEL DOOR MAKING SET

3-PIEZAS JUEGO DE BROCCAS/FRESAS

This easy-to-use set combines the two piece stile-and-rail cutter set with a large-diameter horizontal panel-raising bit that produces a 1-7/16" reveal. Both joinery-cutters and the panel-raiser feature the cove profile. Use only in a table-mounted router; the panel-raiser must be run at reduced RPM's.



460-13



440-19

3/4" to 7/8"

Material/Materiales



Set #TRS-280

1/2" Shank Set Includes

1-3/4" Dia. 2-piece Ogee Stile & Rail bit set

3-1/2" Dia. Cove Raised Panel bit

Tool No.

440-19

460-13

For detailed tool specifications, see router bit section of catalog.

WARNING: Maximum RPM \triangleleft = 12,000 \triangleleft = 18,000



3-PIECE COVE RAISED PANEL SET WITH BACK CUTTER

3-PIEZAS JUEGO DE BROCCAS/FRESAS

This easy-to-use set combines the two piece stile-and-rail cutter set with a large-diameter horizontal panel-raising bit with back cutter that produces a 1-7/16" reveal. Both joinery-cutters and the panel-raiser feature the cove profile. Use only in a table-mounted router; the panel-raiser must be run at reduced RPM's.



420-52



440-19



(Not shown to scale)

3/4" to 7/8"

Material/Materiales



Set #TRS-270

1/2" Shank Set Includes

1-3/4" Dia. 2-piece Ogee Stile & Rail bit set

3-1/2" Dia. Cove Raised Panel bit with back cutter

Tool No.

440-19

420-52

For detailed tool specifications, see router bit section of catalog.

WARNING: Maximum RPM \triangleleft = 12,000 \triangleleft = 18,000



3-PIECE GLASS DOOR PANEL MAKING SET

3-PIEZAS JUEGO DE BRÓCAS/FRESAS

For the construction of straight and arched glass panel doors as well as divided light doors with mullions and mullions.



3/4" to 27/32"
Material/Materiales

Set #TRS-210

1/2" Shank Set Includes
1-5/8" Dia. 2-piece Ogee Still & Rail bit set
2-1/8" Dia. Slot Glass Cutter bit

Tool No.
440-34
270-34

For detailed tool specifications, see router bit section of catalog.

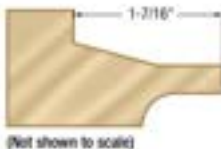
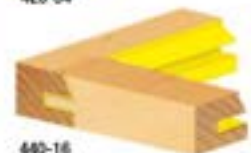
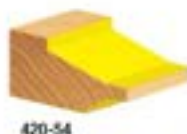
WARNING: Maximum RPM \triangleleft = 16,000 \triangleleft = 18,000



3-PIECE SHAKER RAISED PANEL DOOR MAKING SET WITH BACK CUTTER

3-PIEZAS JUEGO DE BRÓCAS/FRESAS

Designed for the simple shaker look for your mission-style doors, cabinets or furniture.



3/4" to 15/16"
Material/Materiales

Set #TRS-230

1/2" Shank Set Includes
1-3/4" Dia. 2-piece Shaker pattern/cope cutter bit set
3-1/2" Dia. Shaker Raised Panel with back cutter bit

Tool No.
440-16
420-54

For detailed tool specifications, see router bit section of catalog.

WARNING: Maximum RPM \triangleleft = 12,000 \triangleleft = 18,000



PRO LINE
CARBIDE TIPPED
ROUTER BITS SETS

TIMBERLINE

11-PIECE STARTER SET
11-PIEZAS JUEGO DE BROCAS/FRESAS

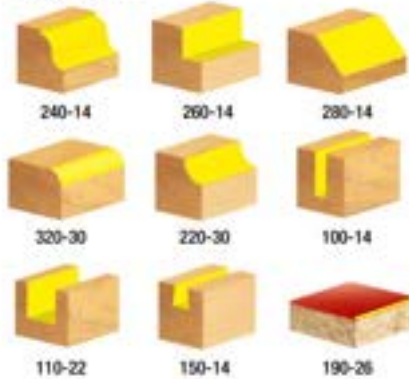


Set #TRS-170

1/2" Shank Set Includes	Tool No.
3/16" Dia. Straight Plunge, 1/4" cutting length	100-14
1/2" Dia. Straight Plunge, 1-1/4" cutting length	110-22
1/2" Dia. 14° Dovetail, 1/2" cutting length	150-14
1/2" Dia. Flush Trim, 1" cutting length	190-26
3/8" Radius Cove	220-30
5/32" Radius Roman Ogee	240-14
3/8" Depth Rabbet, 1/2" cutting length	260-14
45° Chamfer	280-14
3/8" Radius Corner Round	320-30
3/16" x 3/8" Bearing (Changes #320-30 to Bead)	47702
Allen key	5000

For detailed tool specifications, see router bit section of catalog.

TRS-170 set includes:



8-PIECE PROFILE SET
8-PIEZAS JUEGO DE BROCAS/FRESAS



Set #TRS-180

1/2" Shank Set Includes

	Tool No.
3/8" Radius Cove	220-30
1/2" Radius Cove	220-34
1/4" Radius Roman Ogee	240-22
3/8" Depth of cut Rabbeting	260-14
45° Chamfer	280-14
1/4" Radius Corner Round	320-22
3/8" Radius Corner Round	320-30
1/2" Radius Corner Round	320-38

For detailed tool specifications, see router bit section of catalog

TRS-180 set includes:



PRO LINE CARBIDE TIPPED
ROUTER BITS SETS



5-PIECE CABINET DOOR MAKING SET

5-PIEZAS JUEGO DE BROCCAS/FRESAS

This set includes the most commonly used router bits in the industry.

3/4" to 1"

Material/Materiales



Set #TRS-150

1/2" Shank Set Includes

	Tool No.
1-5/8" Dia. 2-piece Ogee Stile & Rail bit set	440-18
1-3/8" Dia. Classical Plunge bit with 9/16" cutting length	450-10
3/4" Radius Corner Round bit	320-42
2-5/8" Dia. Ogee Raised Panel bit with 5/8" cutting length	420-10

For detailed tool specifications, see router bit section of catalog.

WARNING: Maximum RPM Δ = 16,000 Δ = 18,000



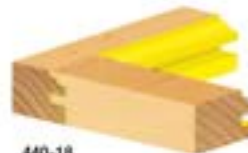
320-42



420-10



450-10



440-18



MULTI 3-WING SLOT CUTTER SET

JUEGO DE CORTADORAS MULTI-USO-3 ALAS

For producing slots from 1/8" to 1-1/8" thick.



Set #TRS-310

1/2" Shank Set Includes	Tool No.
(1) 1/8" Kerf	270-46
(1) 5/32" Kerf	270-48
(1) 3/16" Kerf	270-50
(3) 1/4" Kerf	270-52
(1) 1/2" Dia. arbors with nuts and washers	270-62
(1) 7/8" Dia. bearing for 1/2" cutting depth	47708
(1) 1" Dia. bearing for 7/16" cutting depth	47770
(1) 1-1/8" Dia. bearing for 3/8" cutting depth	47771
(1) 1-3/8" Dia. bearing for 1/4" cutting depth	47772

For detailed tool specifications, see router bit section of catalog.

24-PC. 1/4" SHANK ROUTER BIT SET

24-PIEZAS JUEGO DE BROCAS/FRESAS



Set #680-240

1/4" Shank Set Includes	
Straight Plunge Bit - 1/4" Dia.	V Groove Bit - 90°, 1/2" Dia.
Straight Plunge Bit - 3/8" Dia.	Core Box Bit - 1/2" Dia., 1/4" R
Straight Plunge Bit - 1/2" Dia.	Core Box Bit - 1/2" Dia., 1/4" R
Straight Plunge Bit - 3/8" Dia.	Corner Round/Beading Bit - 1/2" R
Mortising Bit - 1/2" Dia.	Corner Round/Beading Bit - 3/8" R
Dovetail Bit - 9°, 3/8" Dia.	Corner Round/Beading Bit - 1/4" R
Dovetail Bit - 14°, 1/2" Dia.	Corner Round/Beading Bit - 3/16" R
Flush Trim Bit - 3/8" Dia.	Rabbit Bit - 7/16" Dia.
Flush Trim Bit - 3/8" Dia.	Rabbit Bit - 3/8" Dia.
Flush Trim Bit - 1/2" Dia.	Chamfer Bit - 45°, 1-1/4" Dia.
Cove Bit - 7/8" Dia., 1/4" R	Roman Ogee Bit - 1/4" R
Cove Bit - 1-1/8" Dia., 3/8" R	Roman Ogee Bit - 5/32" R

STEEL ROUTER COLLET REDUCERS

REDUCTOR DE COLLET PARA ROUTER



ØD	Ød	L	Tool No.
1/4"	1/8"	1"	RB-102
1/4"	3/16"	1"	RB-103
1/2"	1/8"	1"	RB-115
1/2"	1/4"	1"	RB-116
1/2"	8mm	1"	RB-118
1/2"	3/8"	6mm	RB-122
1/2"	10mm	1"	RB-120

STEEL BALL BEARING GUIDES

RODAMIENTOS



Ød	ØD	B	Tool No.
1/8"	1/4"	.110 (7/64")	47723
1/8"	3/8"	.155 (5/32")	47704
1/8"	1/2"	.171 (11/64")	47700
3/16"	5/16"	.124 (1/8")	47789
3/16"	3/8"	.124 (1/8")	47702
3/16"	1/2"	.195 (3/16")	47706
3/16"	1/2"	.195 (3/16")	47706-HP*
3/16"	.490"	.195 (3/16")	47715
3/16"	5/8"	.195 (3/16")	47718
3/16"	3/4"	.280 (9/32")	47720
3/16"	7/8"	.196 (3/16")	47719
3/16"	1"	.196 (3/16")	47773
3/16"	1-1/8"	.312 (5/16")	47743
1/4"	3/8"	.124 (1/8")	47751
1/4"	1/2"	.186 (3/16")	47701
1/4"	1/2"	.186 (3/16")	47701-HP*
5mm	16mm	5mm (3/16")	47716
1/4"	9/16"	.236 (15/64")	47753
1/4"	5/8"	.195 (3/16")	47712
1/4"	5/8"	.195 (3/16")	47712-HP*
1/4"	3/4"	.280 (9/32")	47714
1/4"	.865 (7/8")	.280 (9/32")	47796
1/4"	1"	.344 (11/32")	47710
5/16"	3/4"	.280 (9/32")	47759
5/16"	.865 (7/8")	.275 (9/32")	47708
5/16"	1"	1/4"	47770
5/16"	1-1/8"	1/4"	47771
5/16"	1-1/4"	.250 (1/4")	47763
5/16"	1-3/8"	1/4"	47772
5/16"	1-5/16"	.21/64"	47762
8mm	16mm	5mm	47713
3/8"	7/8"	7mm	47741
1/2"	3/4"	.156 (5/32")	47721
1/2"	1-1/8"	.312 (5/16")	47738
15mm	35mm	11mm (7/16")	47734
15mm	1"	.218 (7/32")	47754

* With Teflon® shield for fine dust conditions.



PRO LINE

Saw Blades Carbide Tipped

for professional workshops, contractors & hobbyists



Superior strength steel plate



**Micro-grain carbide tips
stay sharper, longer**



**Semi-mirror finish by Multi-Axis
Grinding Machines for extra-long life**



Tri-Foil brazing: silver-copper-silver



GENERAL PURPOSE WOOD CUTTING TRIM

USD GENERAL — MADERA

Contractor saw blades excellent for cutting hardwood, softwood and veneered plywood. Featuring an ultra thin kerf design requiring less horsepower and reduced stock loss. Tensioned and heat treated plate for virtually no run-out and premium carbide tips that can be re-sharpened many times. Designed for small portable electric and battery powered cordless saws. Skin-packed and carded for display.



ATB Grind



Thin Kerf



Micrograin Carbide Tips



For use in Portable Saws 4-3/8" to 4-1/2"



Also fits the following saws:

Jepson® 8211, Panasonic® EY3502FQMKW-12 Volt, Makita™ 4100RH, 4200NH and Porter-Cable™ 314.



Framing



Wood Decking



Shelving

ID	Teeth	Grind	Kerf Inch mm	Plate Inch mm	Hook Angle	Bore	Packaged	Tool No.
4-3/8" to 4-1/2"	30	ATB	.071 1.8	.047 1.2	20°	20mm*	Carded	120-300

* Comes with adapter (bushing) for 3/8" arbor.

GENERAL PURPOSE WOOD CUTTING TRIM

USD GENERAL — MADERA

Contractor saw blades excellent for cutting hardwood, softwood and veneered plywood. Featuring an ultra thin kerf design requiring less horsepower and reduced stock loss. Tensioned and heat treated plate for virtually no run-out and premium carbide tips that can be re-sharpened many times. Designed for small portable electric and battery powered cordless saws. Skin-packed and carded for display.



ATB Grind



Thin Kerf



Micrograin Carbide Tips



For use in Portable Saws 5-3/8" to 5-1/2"



Also fits the following saws:

Black & Decker® CS144-14.4 Volt, Grizzly® G8598-18 Volt, DeWalt® DW930K-12 Volt, DW935K/14.4 Volt, DW936K-18 Volt Makita® 5005BA, Panasonic® EY3503FQWKW-12 Volt, EY3531FQWKW-15.6 Volt and Skil® HD5510.



Framing



Wood Decking



Shelving

ID	Teeth	Grind	Kerf Inch mm	Plate Inch mm	Hook Angle	Bore	Packaged	Tool No.
5-3/8" to 5-1/2"	30	ATB	.071 1.8	.053 1.35	15°	5/8"	Carded	135-300

* Comes with adapter (bushing) for 1/2" and 10mm arbors.



GENERAL PURPOSE CUTTING TRIM

USO GENERAL — MADERA

Contractor saw blades excellent for cutting hardwood and softwood. Featuring an ultra thin kerf design requiring less horsepower and reduced stock loss. Tensioned and heat treated plate for virtually no run-out and premium carbide tips that can be re-sharpened many times. Designed for small portable electric and battery powered cordless saws. Skin-packed and carded for display.



ATB Grind



Thin Kerf



Micrograin Carbide Tips



For use in Portable Handheld Saws

Also fits the following saws:

Porter-Cable®, Saw Boss® Trim Saw Model #345 and Model #9845 19.2 Volt.



Framing



Floor Beams

OD	Teeth	Grind	Kerf		Plate		Hook Angle	Bore	Packaged	Tool No.
			Inch	mm	Inch	mm				
6"	20	ATB	.067	1.7	.051	1.3	20°	1/2"	Carded	150-200
6"	40	ATB	.067	1.7	.051	1.3	20°	1/2"	Carded	150-400

GENERAL PURPOSE WOOD CUTTING TRIM

USO GENERAL — MADERA

Contractor saw blades excellent for cutting hardwood and softwood. Featuring an ultra thin kerf design requiring less horsepower and reduced stock loss. Tensioned and heat treated plate for virtually no run-out and premium carbide tips that can be re-sharpened many times. Designed for small portable electric and battery powered cordless saws. Skin-packed and carded for display.



ATB Grind



Thin Kerf



Micrograin Carbide Tips



For use in Portable Handheld Saws



Framing



Wood Decking



Shelving

Also fits the following saws:

DeWalt® DW007K-24 Volt, DW930-18 Volt, Hitachi® CE0C-18 Volt, Makita® 5630DWA-14.4 Volt, 5620DWA-18 Volt, Makita® 5621DWD-18 Volt, 5026DWD-18 Volt, Skil® HD 5825, Talon® TJ759000-18 Volt.

OD	Teeth	Grind	Kerf		Plate		Hook Angle	Bore	Packaged	Tool No.
			Inch	mm	Inch	mm				
6-1/2"	24	ATB	.095	2.4	.063	1.6	20°	5/8" ♦	Carded	165-240
6-1/2"	40	ATB	.095	2.4	.063	1.6	20°	5/8" ♦	Carded	165-400

♦ Denotes 5/8" arbor with diamond knockout.

PROFESSIONAL SPECIALTY ALL PURPOSE

USO GENERAL — MADERA, TRIPLAY Y MATERIALES COMPUESTOS

A durable series of blades designed for contractors and Do-It-Yourselfers. These are very popular all-purpose blades used for ripping and crosscutting wood framing, decking and plywood.



ATB Grind



Thin Kerf



Micrograin Carbide Tip



For use in Portable Handheld Saws



Also fits the following portable 7-1/4" Electric & Worm Drive circular saws:

Black&Decker®, Bosch®, DeWalt®, Hitachi®, Japson®, Makita®, Milwaukee®, Porter-Cable®, Ryobi®, Skil®.



Framing



Wood Decking



Plywood

OD	Teeth	Grind	Kerf		Plate		Hook Angle	Bore	Packaged	Tool No.
			Inch	mm	Inch	mm				
7-1/4"	24	ATB	.106	2.7	.059	1.5	18°	5/8" ♦	Carded	175-24C
7-1/4"	24	ATB	.106	2.7	.059	1.5	18°	5/8" ♦	Bulk †	175-24B
7-1/4"	40	ATB	.106	2.7	.059	1.5	18°	5/8" ♦	Carded	175-40C
7-1/4"	40	ATB	.106	2.7	.059	1.5	18°	5/8" ♦	Bulk †	175-40B
7-1/4"	60	ATB	.095	2.4	.062	1.6	12°	5/8" ♦	Carded	175-60C
7-1/4"	60	ATB	.095	2.4	.062	1.6	12°	5/8" ♦	Bulk †	175-60B

♦ Denotes 5/8" arbor diamond knockout.

† Bulk Pack: 25 pcs. per box.

GENERAL PURPOSE

USO GENERAL — MADERA

Ideal blade for framing work (rip and crosscuts). Perfect general purpose use blade for 8-1/4" side-winder and/or worm drive saws. Clamshell packed for display.



ATB Grind



Thin Kerf



Micrograin Carbide Tip



For use in Portable Handheld Saws



Also fits the following 8-1/4" Electric and Worm Drive saws:

Black&Decker®, Bosch®, DeWalt®, Hitachi®, Makita®, Milwaukee®, Porter-Cable®, Skil®.

Popular saws made by: Delta® 36-275, Japson® 8408, Makita® 2702, 2708W.

Compound Miter Saws: Delta® 36-049, Pro-tech® 7203.



Framing



Wood Decking



Plywood

OD	Teeth	Grind	Kerf		Plate		Hook Angle	Bore	Packaged	Tool No.
			Inch	mm	Inch	mm				
8-1/4"	24	ATB	.079	2.0	.053	1.35	15°	5/8" ♦	Clamshell	215-240
8-1/4"	40	ATB	.087	2.2	.063	1.6	20°	5/8" ♦	Clamshell	215-400

♦ Denotes 5/8" arbor with diamond knockout.

TIMBERLINE

PRO LINE CARBIDE TIPPED, THIN KERF
GENERAL PURPOSE & FINISHING

GENERAL PURPOSE & FINISHING

USO GENERAL — CORTE FINO Y LIMPIO

For miter saw or stationary table saw

Excellent for general purpose, crosscutting and finishing of softwoods and hardwoods. The 0° hook angle allows for use on a broad range of material as well as machine types.



ATB Grind



Thin Kerf



Micrograin Carbide Tips



For use in Table Saws, Radial Arm Saws & Miter Saws



Also for miter box saws, compound miter saws, sliding compound miter saws & dual sliding compound miter saws:

Bosch® 3915; Delta® 36-070, 36-040, 36-075, 36-220, 36-225, 36-240, 36-250; Hitachi® C10FC2, C10FS, C10FCD; Makita® LS1039N, LS1040, LS1045, LS1011, LS1013; Milwaukee® 6490-6, 6496-6, 6497-6; Porter Cable® 3807; Pro-tech® 7107, 7207, 7208; Ryobi® TS254.

Also for portable table saws and contractor table saws:

Delta® 36-540, 36-440, 36-444, 36-445, 36-480, 36-490; DeWalt® DW744S, DW746, DW703; Grizzly® G5045, G1022, G1022Z, G1022ZFX, G1022SM, G1023S/SC; Jet® JWTS-10JF, JWTS-10CW2-PFX, JWTS-10PF, JWTS-10PFX; Jet Equipment® JTS-100D; Hitachi® C10RA2; Makita® 2711, 2703/X1; Porter Cable® 3812; Pro-tech® 4106; Ryobi® BT3000; Skil® 3300, 3400, 3400-08.

Radial arm saw: Delta® 33-990.



Framing



Floor Beams

Ø	Teeth	Grind	Kerf		Plate		Hook Angle	Bore	Packaged	Tool No.
			Inch	mm	Inch	mm				
10"	40	ATB	.091	2.3	.063	1.6	0°	5/8"	Clamshell	250-400
10"	60	ATB	.091	2.3	.063	1.6	0°	5/8"	Boxed	250-600
10"	80	ATB	.091	2.3	.063	1.6	0°	5/8"	Boxed	250-800

FINE CROSSCUT

CORTE FINO Y LIMPIO

This blade produces quality cuts when sizing plywood, MDF, plastics and other sheet goods with a portable circular saw. Clamshell packed for display.



ATB Grind



Thin Kerf



Micrograin Carbide Tips



For use in Portable Handheld Saws



Plywood



Plastic

Ø	Teeth	Grind	Kerf		Plate		Hook Angle	Bore	Packaged	Tool No.
			Inch	mm	Inch	mm				
7-1/4"	40	TCG	.090	2.3	.059	1.5	0°	5/8" ♦	Clamshell	175-41C

♦ Denotes 5/8" arbor with diamond knockout.

FIBERFORCE™ FIBER CEMENT BOARD CUTTING

FIBRA DE CEMENTO

Contains a unique six-tooth carbide tipped design that is made for cutting single sheets of cement board or Wonderboard®. Clamshell packed for display.

- Special flat top tooth grind
- Hardened body for long life
- Unique shoulder design for consistent chip removal
- Harder carbide for maximum cutting life



ATB Grind



ATAF Grind



Thin Kerf



Micrograin Carbide Tips



For use in Portable Saws
(7-1/4" blade only)



For use in Chop and Miter Saws
(10"-12" blades only)



Cement Board

OD	Teeth	Grind	Kerf		Plate		Hook Angle	Bore	Packaged	Tool No.
			Inch	mm	Inch	mm				
7-1/4"	6	ATB	.073	1.84	.046	1.16	15°	5/8" ♦	Clamshell	185-06
10"	32	ATAF	.118	3.0	.087	2.2	5°	5/8"	Clamshell	254-32
12"	40	ATAF	.126	3.2	.087	2.2	5°	1"	Clamshell	305-40

♦ Denotes 5/8" arbor with diamond knockout.

PRO LINE CARBIDE TIPPED, THIN KERF
GENERAL PURPOSE & FINISHING

PRO LINE

Saw Blades

for contractors, professionals and hobbyists



FINISHING

CORTE FINO Y LIMPIO — MELAMINA, MDF, PLASTICOS

Designed for finishing, crosscutting plastics, double sided melamine, plastic laminated MDF and Coroplast®. The 0° hook angle allows for use on a broad range of material as well as machine types.



TC Grind



Thin Kerf

Micrograin
Carbide TipsFor use in Table Saws, Radial Arm
Saws & Miter Saws

Also for the following miter box saws, compound miter, sliding compound miter and dual sliding compound miter saws:

Bosch® 3912, DeWalt® DW704, DW705, DW706, DW708, Delta® 36-235, Makita® LS1220, LS1211, LS1212, Porter Cable® 3802, Pro-tech® CS72121.

Radial arm saw: Delta® 33-890



Laminate



Plastic



Melamine

ØD	Teeth	Grind	Kerf		Plate		Hook Angle	Bore	Packaged	Tool No.
			Inch	mm	Inch	mm				
10"	60	TCG	.091	2.3	.063	1.6	0°	5/8"	Boxed	250-601

FINISHING BLADES FOR MITER SAW/ STATIONARY TABLE SAW

CORTE FINO Y LIMPIO — MADERAS

Blades are designed for crosscutting and finishing of softwoods and hardwoods. The 0° hook angle allows for use on a broad range of material as well as machine types.



ATB Grind



Thin Kerf

Micrograin
Carbide TipsFor use in Table Saws, Radial Arm
Saws & Miter Saws

Also for the following miter box saws, compound and sliding compound miter saws and dual sliding compound miter saws:

Bosch® 3912; DeWalt® DW704, DW705, D708; Delta® 36-235; Makita® LS1220, LS1211; Porter Cable® 3802; Pro-tech® CS72121.

Radial arm saw: Delta® 33-890



Framing



Wood Decking



Shelving

ØD	Teeth	Grind	Kerf		Plate		Hook Angle	Bore	Packaged	Tool No.
			Inch	mm	Inch	mm				
12"	40	ATB	.118	3.0	.087	2.2	0°	1"	Boxed	300-400
12"	60	ATB	.118	3.0	.087	2.2	0°	1"	Boxed	300-600
12"	80	ATB	.118	3.0	.087	2.2	0°	1"	Boxed	300-800
12"	100	ATB	.118	3.0	.087	2.2	0°	1"	Boxed	300-100

ALUMINUM & NON-FERROUS

ALUMINIO Y METALES NO FERROSOS

Designed for cutting thin non-ferrous products and plastics. Features a negative hook angle.

Note: For optimal results and to extend tool life please use mist lubricant system or air cooling. Please inspect cut and adjust accordingly.



TCG Grind



Thin Kerf



Micrograin Carbide Tips



For use in Portable Handheld Saws



Aluminum



Brass



Copper



Plastic

OD	Teeth	Grind	Kerf		Plate		Hook Angle	Bore	Packaged	Tool No.
			Inch	mm	Inch	mm				
7-1/4"	50	TCG	.110	2.8	.087	2.2	-5°	5/8" ◆	Boxed	185-905 ▲
10"	80	TCG	.090	2.3	.063	1.6	-6°	5/8" ◆	Boxed	250-801
12"	96	TCG	.098	2.5	.071	1.8	-6°	1"	Boxed	300-961

◆ Denotes 5/8" arbor with diamond knockout. ▲ Not for use on worm drive saws.

WARNING: Never attempt to cut ferrous metals (steel, iron, etc.) with these saw blades.

COMBINATION

COMBINACIÓN

In many custom woodworking shops, one blade must cut a wide variety of materials. These blades will effectively rip and crosscut hardwoods, softwoods, as well as sheet goods such as plywood and particleboard. They feature the time-tested combination blade design – four alternate top bevel teeth with a flat-top raker. Thin kerf blades reduce waste in expensive material and require less horsepower to operate.



4+1



Thin Kerf



Micrograin Carbide Tips



For use in Table Saws



Framing



Plywood



Wood Decking

OD	Teeth	Grind	Kerf		Plate		Hook Angle	Bore	Packaged	Tool No.
			Inch	mm	Inch	mm				
10"	50	4+1	.090	2.3	.063	1.6	0°	5/8"	Boxed	250-500

TIMBERLINE

PRO LINE

CARBIDE TIPPED, THIN KERF

ALUMINUM, PLASTIC & COMBINATION

TI-CUT

Saw Blades Designed for
DIY Market & Contractors

TI-CUT™ GENERAL PURPOSE & FINISHING SAW BLADES

USD GENERAL — CORTE FINO

Heat-treated and large carbide tips precisely ground for smooth cuts every time. Designed for Do-It-Yourself market and contractors. Low retail price, very economical. Clamshell packed for display.



Framing



Wood Decking



Plywood



ØD	Teeth	Grind	Kerf		Plate		Hook Angle	Bore	Packaged	Tool No.
			Inch	mm	Inch	mm				
7-1/4"	24	ATB	.087	2.2	.059	1.5	10°	5/8" ◆	Boxed	72524 †
7-1/4"	40	ATB	.087	2.2	.059	1.5	10°	5/8" ◆	Boxed	72540 †
8"	32	ATB	.122	3.1	.070	1.8	10°	5/8" ◆	Clamshell	80032
8"	40	ATB	.122	3.1	.070	1.8	10°	5/8" ◆	Clamshell	80040
8"	60	ATB	.122	3.1	.070	1.8	10°	5/8" ◆	Clamshell	80060
8-1/4"	24	ATB	.122	3.1	.070	1.8	10°	5/8" ◆	Clamshell	82524
8-1/4"	40	ATB	.122	3.1	.070	1.8	10°	5/8" ◆	Clamshell	82540
10"	30	ATB	.122	3.1	.070	1.8	10°	5/8"	Clamshell	10030
10"	30	ATB	.122	3.1	.070	1.8	10°	30mm	Clamshell	10030-30 ‡
10"	40	ATB	.122	3.1	.070	1.8	18°	5/8"	Clamshell	10040
10"	40	ATB	.122	3.1	.070	1.8	18°	30mm	Clamshell	10040-30 ‡
10"	60	ATB	.122	3.1	.070	1.8	10°	5/8"	Clamshell	10060
10"	60	ATB	.122	3.1	.070	1.8	10°	30mm	Clamshell	10060-30 ‡
10"	80	ATB	.122	3.1	.070	1.8	10°	5/8"	Clamshell	10080
10"	80	ATB	.122	3.1	.070	1.8	10°	30mm	Clamshell	10080-30 ‡
12"	24	ATB	.128	3.25	.095	2.4	10°	1"	Clamshell	12024
12"	24	ATB	.128	3.25	.095	2.4	10°	30mm	Clamshell	12024-30 ‡
12"	40	ATB	.128	3.25	.095	2.4	18°	1"	Clamshell	12040
12"	40	ATB	.128	3.25	.095	2.4	18°	30mm	Clamshell	12040-30 ‡
12"	60	ATB	.128	3.25	.095	2.4	10°	1"	Clamshell	12060
12"	60	ATB	.128	3.25	.095	2.4	10°	30mm	Clamshell	12060-30 ‡
12"	80	ATB	.128	3.25	.095	2.4	10°	1"	Clamshell	12080
12"	80	ATB	.128	3.25	.095	2.4	10°	30mm	Clamshell	12080-30 ‡

◆ Denotes 5/8" arbor with diamond knockout.

† Anti-kickback design.

‡ Blades with 30mm bore includes the following reduction bearings: 30mm to 1", 30mm to 3/4" and 30mm to 5/8".

Ti-CUT PLASTIC

PLASTICOS

No-melt saw blades are designed specifically with negative hook angle, which greatly reduces the tendency of chip-welding or melting of acrylic sheets, Plexiglas®, Lexant®, and other plastics and polycarbonates. Clamshell packed for display.



MTC Grind



Thin Kerf



Micrograin Carbide Tips



For use in Chop and Miter Saws



Laminate



Plastic



Melamine

ØD	Teeth	Grind	Kerf		Plate		Hook Angle	Bore	Packaged	Tool No.
			Inch	mm	Inch	mm				
10"	60	MTC	.122	3.1	.070	1.8	-2°	5/8"	Clamshell	10061
10"	60	MTC	.122	3.1	.070	1.8	-2°	30mm	Clamshell	10061-30 †

† Blades with 30mm bore includes the following reduction bearings: 30mm to 1", 30mm to 3/4" and 30mm to 5/8".

Ti-CUT STEEL

METAL

Specially designed carbide and blade geometry for cutting mild steel, steel studs and steel sheets. Clamshell packed for display.

Note: For optimal results and to extend tool life please use mist lubricant system or air cooling. Please inspect cut and adjust accordingly.



ATB Grind



Thin Kerf



Micrograin Carbide Tips



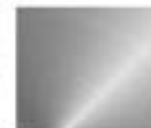
For use in Portable Handheld Saws



Steel Pipes



Steel Studs



Mild Steel Sheets

ØD	Teeth	Grind	Bore	Tool No.
7-1/4"	48	ATB	5/8" ♦	185-48STL

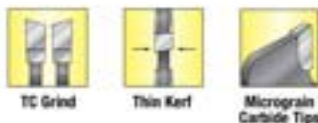
♦ Denotes 5/8" arbor with diamond knockout.

PRO LINE CARBIDE TIPPED, THIN KERF
CONTRACTOR SERIES

TIMBERLINE

Ti-CUT FINE CROSSCUT & CUTOFF CORTE FINO — TRIPLAY & MELAMINA

These blades are ideal for cutting material with fragile surface layers, such as veneers and laminates. The triple chip grind high tooth count yields smooth finishes. The 10° hook angle provides effortless feeding. Clamshell packed for display.



ØD	Teeth	Grind	Kerf		Plate		Hook Angle	Bore	Packaged	Tool No.
			Inch	mm	Inch	mm				
10"	80	TCG	.122	3.1	.071	1.8	10°	5/8"	Clamshell	10081
10"	80	TCG	.122	3.1	.071	1.8	10°	30mm	Clamshell	10081-30 †
12"	100	TCG	.128	3.25	.095	2.4	10°	1"	Clamshell	12100

† Blades with 30mm bore includes the following reduction bearings: 30mm to 1", 30mm to 3/4" and 30mm to 5/8".

Ti-CUT ALUMINUM & NON-FERROUS ALUMINIO Y METALES NO FERROSOS

Specially designed carbide and blade geometry for cutting relatively thin-walled aluminum and non-ferrous extrusions and frames. Clamshell packed for display.

Note: For optimal results and to extend tool life please use mist lubricant system or air cooling. Please inspect cut and adjust accordingly.



Perfect for the following miter box saws, compound miter saws, sliding compound miter saws and dual sliding compound miter saws: Bosch® 3912; DeWalt® DW704, DW705, D708; Delta® 36-235; Makita® LS1220, LS1211; Porter Cable® 3802; Pro-tech® CS72121.

Radial arm saws: Delta® 33-890

ØD	Teeth	Grind	Kerf		Plate		Hook Angle	Bore	Packaged	Tool No.
			Inch	mm	Inch	mm				
10"	80	TCG	.122	3.1	.075	1.9	-5°	5/8"	Clamshell	10181
10"	80	TCG	.122	3.1	.071	1.8	-5°	30mm	Clamshell	10181-30 †
12"	96	TCG	.128	3.25	.095	2.4	-5°	1"	Clamshell	12096
12"	96	TCG	.128	3.25	.095	2.4	-5°	30mm	Clamshell	12096-30 †

† Blades with 30mm bore includes the following reduction bearings: 30mm to 1", 30mm to 3/4" and 30mm to 5/8".

WARNING: Never attempt to cut ferrous metals (steel, iron, etc.) with these saw blades.



FLOORING SAW BLADES

for Jamb, Undercut & Toe-Kick Saws

PRO LINE CARBIDE TIPPED, THIN KERF
FLOORING SAW BLADES



SAW BLADES FOR CRAIN® JAMB/UNDERCUT SAWS

FLOOR KING SIERRAS PARA CRAIN

Excellent for long lasting, accurate & level cutting along walls, baseboards, cabinet toe kicks, door jambs, inside corners and most hanging doors. Handy to cut most doors in place. Perfect undercut thickness for vinyl flooring. Tensioned and heat treated plate for virtually no run-out and premium carbide tips that can be re-sharpened many times.



ATB Grind



Thin Kerf



Micrograin Carbide Tips



For use in Jamb/Undercut Saws



Baseboard & Trim



Door Jambs

Use with CRAIN® Jamb/Undercut Saw	Comparable to CRAIN® Blade	ØD	Teeth	Grind	Kerf Inch mm	Plate Inch mm	Hook Angle	Bore	Packaged	Tool No.
#812, #820, #825	#821	6-1/2"	40	ATB	.098 2.5	.069 1.7	19°	7/8" Concave	Carded	65040 ▲
#800, #810	#804	6-1/2"	40	ATB	.087 2.2	.063 1.6	14°	5/8" Bevel	Carded	65042 ▲
#835	#836	6-11/16"	40	ATB	.087 2.2	.060 1.5	17°	12.2mm Concave	Carded	65044 ▲

▲ Caution: As these blades are subject to possible abuse, they are not guaranteed. Not recommended for cutting metal as sparks can be a fire hazard. CRAIN® is a registered trademark of Crain Cutter Co, Inc.



SAW BLADES FOR CRAIN® MULTI-UNDERCUT SAWS

FLOOR KING SIERRAS PARA CRAIN – MULTI RECORTES POR ABAJO

Use to fully undercut inside corners, as well as undercut along walls, door jambs and under spaces. Tensioned and heat treated plate for virtually no run-out and premium carbide tips that can be re-sharpened many times.



ATB Grind



Thin Kerf



Micrograin Carbide Tips



For use in CRAIN® Multi-Undercut Saws



Undercut Walls



Door Jambs

Use with CRAIN® Multi-Undercut Saw	Comparable to CRAIN® Blade	ØD	Teeth	Grind	Kerf Inch mm	Plate Inch mm	Hook Angle	Bore	Packaged	Tool No.
#555*	#556	5-1/2"	36	ATB	.098 2.5	.067 1.7	18°	22.22mm Concave	Carded	55036 ▲
#550**	#552	5-1/2"	40	ATB	.087 2.2	.063 1.6	12°	14mm Bevel	Carded	55040 ▲

▲ Caution: As these blades are subject to possible abuse, they are not guaranteed. Not recommended for cutting metal as sparks can be a fire hazard.

* Due to the bell-shaped rigid design, this blade is for use ONLY with CRAIN® multi-undercut saw #555.

** Fits the older/discontinued CRAIN® model #550 multi-undercut saws ONLY.





SAW BLADES FOR CRAIN® TOE-KICK SAWS

FLOOR KING SIERRAS PARA CRAIN - ZOCALOS

Lightweight saw blade for smooth cutting action with superb handling. Use in tricky spots such as cutting flooring flush with wall and cabinet bases. No need to shim-up your saw with this smaller cutting depth. Protects subflooring while excellent to use on thinner underlayments. For wood only. Tensioned and heat treated plate for virtually no run-out and premium carbide tips that can be re-sharpened many times.



ATB Grind



Thin Kerf



Micrograin Carbide Tips



For use in
Toe-Kick Saws



Baseboard & Trim



Wood Flooring

Use with CRAIN® Toe-Kick Saw	Comparable to CRAIN® Blade	ØD	Teeth	Grind	Kerf Inch mm	Plate Inch mm	Hook Angle	Bore	Packaged	Tool No.
#795*	#788	2-3/4"	16	ATB	.118 3.0	.063 1.6	10°	1/2" Bevel	Carded	23416 ▲
#785** & #795**	#787	3-3/8"	18	ATB	.102 2.6	.067 1.7	10°	1/2" Bevel	Carded	33818 ▲
#785** & #795**	#787	3-3/8"	24	ATB	.102 2.6	.067 1.7	10°	1/2" Bevel	Carded	33824 ▲

▲ Caution: As these blades are subject to possible abuse, they are not guaranteed. Not recommended for cutting metal as sparks can be a fire hazard.

* Fits the older/discontinued CRAIN® models #795 toe-kick saws ONLY.

** Fits the older/discontinued CRAIN® models #785 and #795 toe-kick saws ONLY.



SAW BLADES FOR ROBERTS® JAMB/UNDERCUT SAWS

FLOOR KING SIERRAS PARA CRAIN – RECORTES DE MARCOS
P/PUERTAS POR ABAJO

Carbide tips provide durable performance for cutting wood trim, door jamb and baseboards. Also for undercutting corners, door jamb, & walls. Handy to cut most doors in place. Perfect undercut thickness for vinyl flooring. Tensioned and heat-treated plate for virtually no run-out and premium carbide tips that can be re-sharpened many times.



ATB Grind



Thin Kerf



Micrograin Carbide Tips



For use in Roberts®
Jamb/Undercut Saws



Undercut Walls



Door Jamb

Use with Roberts® Jamb/Undercut Saw	Comparable to Roberts® Blade	ØD	Teeth	Grind	Kerf Inch mm	Plate Inch mm	Hook Angle	Bore	Packaged	Tool No.
#10-40 & #21600	#10-42	4-1/4"	20	ATB	.098 2.5	.060 1.5	5°	5/8" & 20mm†	Carded	45020 ▲
#10-46 & #10-55	#10-47-6	6-3/16"	20	ATB	.087 2.2	.071 1.8	18°	20mm Concave	Carded	63020 ▲
#10-46 & #10-55	#10-47-2	6-3/16"	36	ATB	.098 2.5	.060 1.5	18°	20mm Concave	Carded	63036 ▲

▲ Caution: As these blades are subject to possible abuse, they are not guaranteed. Not recommended for cutting metal as sparks can be a fire hazard.

† 20mm bore, comes with bushing to 5/8" bore.

Roberts® is a registered trademark of the Q.E.P. Corporation.



EXTENDED LIFE
DIAMOND RIM SAW BLADES

- Steel saw blade with diamond impregnated grit edge
- Long life performance
- Fast cuts on wet & dry cutting saws machines



CONTINUOUS RIM DIAMOND SAW BLADES FOR CRAIN® TOE-KICK SAWS

DISCO DIAMANTADO - RIN CONTINUO

General purpose Continuous Diamond Rim saw blade with 3/8" cutting depth. Ideal for tile repair and cutting grout. Featuring an ultra thin kerf design requiring less horsepower and reduced stock loss. Tensioned and heat treated plate for virtually no run-out. Clamshell packed for display.



WET / DRY



Continuous Diamond Rim



Thin Kerf



Diamond Grit



For use in Toe-Kick Saws



Brick



Stone/Concrete



Ceramic Tile



Marble

Use with CRAIN® Toe-Kick Saw	Comparable to CRAIN® Blade	ØD	Kerf Inch mm	Plate Inch mm	Hook Angle	Bore	Packaged	Tool No.
#795*	#799	2-5/8"	0.79 2.0	.047 1.2	19°	14mm	Clamshell	25800

* Fits the older/discontinued CRAIN® model #795 undercut saws ONLY.

CONTINUOUS RIM DIAMOND SAW BLADES

DISCO DIAMANTADO - RIN CONTINUO

These blades provide the smoothest cut by ultra smooth chip-free cutting in ceramic tiles, marble and porcelain. Clamshell packed for display.



WET / DRY



Continuous Diamond Rim



Diamond Grit



For use in Tile & Wet Cutting Machines and Grinding Cutters



ØD	Kerf	Bore	Bushings	Max RPM	Packaged	Tool No.
4"	.07"	7/8"	5/8" & 20mm	15,300	Clamshell	640-100
4-1/2"	.08"	7/8"	5/8" & 20mm	13,300	Clamshell	640-110
7"-7-1/4"	.09"	5/8" ◆	—	8,500	Clamshell	640-140
8"	.10"	5/8" ◆	—	7,600	Clamshell	640-145
9"	.11"	7/8"	5/8"	6,600	Clamshell	640-150
10"	.11"	5/8"	—	6,100	Clamshell	640-160
14"	.135"	1"	20mm	4,300	Clamshell	640-180

◆ Denotes 5/8" arbor with 7/8" diamond knockout.



TURBO RIM DIAMOND SAW BLADES

DISCO DIAMANTADO - RIN TURBO

These blades are sintered with a serrated cutting edge to stay in constant contact with the material and produce a smoother cut than the segmented blades. They are ideal for cutting concrete, brick, pavers, slate, granite and marble. They have a longer life than the continuous rim blades. Clamshell packed for display.



Turbo Diamond Rim



Diamond Grit



For use in Tile & Wet Cutting Machines and Grinding Cutters



WET  / DRY 



Cinder Block



Brick



Stone/Concrete



Slate



Marble

ØD	Kerf	Bore	Bushings	Max RPM	Packaged	Tool No.
4"	.09"	7/8"	5/8" & 20mm	14,500	Clamshell	640-200
4-1/2"	.09"	7/8"	5/8" & 20mm	13,300	Clamshell	640-210
7"-7-1/4"	.11"	5/8"◆	—	8,500	Clamshell	640-240
8"	.10"	5/8"◆	—	7,600	Clamshell	640-245
9"	.125"	7/8"	5/8"	6,600	Clamshell	640-250
10"	.14"	5/8"	—	6,100	Clamshell	640-260
12"	.15"	1"	7/8" & 20mm	5,100	Clamshell	640-270

◆ Denotes 5/8" arbor with 7/8" diamond knockout.

SEGMENTED RIM DIAMOND SAW BLADES

DISCO DIAMANTADO - RIN SEGMENTADO

This type of blade provides the longest life at the lowest cost per cut. The segmented gullets provide faster, cleaner and cooler cuts. They are ideal for cutting concrete, concrete block, concrete pavers and slate. To be used where chipping is not a problem. Clamshell packed for display.



Segmented Diamond Rim



Diamond Grit



For use in Tile & Wet Cutting Machines and Grinding Cutters



WET  / DRY 



Cinder Block



Stone/Concrete



Slate

ØD	Kerf	Bore	Bushings	Max RPM	Packaged	Tool No.
4"	.07"	7/8"	5/8" & 20mm	14,500	Clamshell	640-300
4-1/2"	.08"	7/8"	5/8" & 20mm	13,300	Clamshell	640-310
7"-7-1/4"	.09"	5/8"◆	—	8,500	Clamshell	640-340
8"	.10"	5/8"◆	—	7,600	Clamshell	640-345
9"	.1"	7/8"	5/8"	6,600	Clamshell	640-350
10"	.11"	5/8"	—	6,100	Clamshell	640-360
12"	.125"	1"	7/8" & 20mm	5,100	Clamshell	640-370
14"	.125"	1"	20mm	4,300	Clamshell	640-380
16"	.160"	1"	20mm	3,800	Clamshell	640-390

◆ Denotes 5/8" arbor with 7/8" diamond knockout.

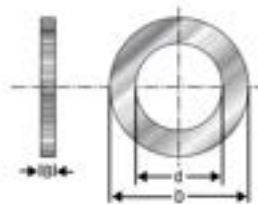
SAW BLADE REDUCING BUSHINGS

ANILLOS REDUCTORES PARA SIERRAS CIRCULARES

Designed to reduce the arbor.

NOTE: Most saw blade bushings have serrations on the outside diameter edge to provide a better grip.

Ød	ØD	'B' Bushing Thickness	Tool No.
5/8"	10mm	.053"	BU-125
5/8"	1/2"	.060"	BU-110
3/4"	5/8"	.062"	BU-150
20mm	3/8"	.062"	BU-120
20mm	1/2"	.060"	BU-123
22mm	3/4"	.062"	BU-130
22mm	20mm	.070"	BU-140
1"	5/8"	.086"	BU-100
1"	7/8"	.097"	BU-225
1"	7/8"	.110"	BU-250
1"	3/4"	.075"	BU-200
1"	20mm	.097"	BU-122
1-1/8"	1"	.086"	BU-300
1-1/4"	1"	.096"	BU-400
1-1/4"	1-1/8"	.075"	BU-500
1-1/4"	30mm	.086"	BU-450
30mm	5/8"	.070"	BU-515
30mm	3/4"	.070"	BU-520
30mm	25mm	.070"	BU-530
30mm	1"	.070"	BU-525



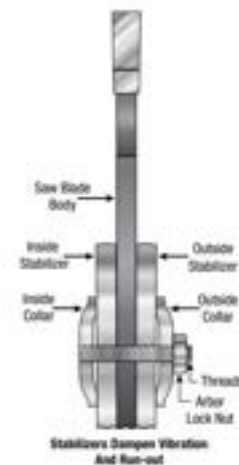
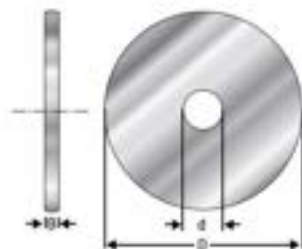
SAW BLADE STABILIZERS/STIFFENERS

ESTABILIZADORES PARA SIERRAS CIRCULARES

Used in conjunction with the collar(s) provided on your machine to increase the overall 'stiffness' of the saw blade. Particularly useful for 'thin-kerf' type blades. Unlike certain other brands, Timberline® stabilizers are made from the same quality tool steel that is used on our Industrial Series saw blades. The steel is ground (not stamped) and is extremely flat on both sides to reduce run-out & vibration.

Please note that the depth of cut will be reduced slightly and the table insert (if applicable) may obstruct the stabilizers when raising the blade height on table saws. You may use one or two stabilizers, depending on application and arbor length. Each order number consists of one pair.

Ød	ØD	'B' Stabilizer Thickness	Use With Saw Blade Diameter(s)	Tool No.
5/8"	4"	.096" (x2)	8" - 12"	STF-4
30mm	4"	.096" (x2)	8" - 12"	STF-4-30
1"	6"	.096" (x2)	14" - 20"	STF-6



TIMBERLINE

PRO LINE CARBIDE TIPPED, THIN KERF
SAW BLADE ACCESSORIES



JIGSAW BLADES • T-SHANK

SEGUETA PARA SIERRA CALADORA — 2 PZS.



T-Shank jigsaw blades for quick and easy cuts in today's challenging materials.



Wood & Plywood

B	L	TPI	Blade Type	Application	Shank	Pcs per Pkg	Tool No.
3"	4"	6	High Carbon Steel	Plywood, Hard/Softwood	T	2	601-300
3"	4"	10	High Carbon Steel	Plywood, Hard/Softwood	T	2	601-302
2-5/16"	3-1/4"	21	High Carbon Steel	Plywood, Hard/Softwood	T	2	601-304



Wood w/Nails

B	L	TPI	Blade Type	Application	Shank	Pcs per Pkg	Tool No.
3"	4"	8	Bi-Metal	Wood w/Nails	T	2	601-306



Thin Metals

B	L	TPI	Blade Type	Application	Shank	Pcs per Pkg	Tool No.
2-5/8"	3-5/8"	24	High Speed Steel	Thin Metals 1/16" - 1/8"	T	2	601-310
2-5/8"	3-5/8"	14	Bi-Metal	Medium-Thin Metals 1/8" - 1/4"	T	2	601-312
2-5/8"	3-5/8"	18	Bi-Metal	Medium Metals 5/64" - 7/32"	T	2	601-314



Aluminum

B	L	TPI	Blade Type	Application	Shank	Pcs per Pkg	Tool No.
3"	4"	8	High Speed Steel	Aluminum 3/16" - 5/8"	T	2	601-320



Laminate

B	L	TPI	Blade Type	Application	Shank	Pcs per Pkg	Tool No.
3"	4"	10	High Carbon Steel	Laminated Particle Board "Reverse Cut"	T	2	601-308



Ceramic Tile & Fiberglass

B	L	Grit	Blade Type	Application	Shank	Pcs per Pkg	Tool No.
2-5/16"	3-1/4"	30 Grit	Carbide Grit	Ceramic & Fiberglass 3/64" - 3/8"	T	1	601-330
2-5/16"	3-1/4"	50 Grit	Carbide Grit	Ceramic & Fiberglass 3/64" - 3/8"	T	1	601-332

5 & 10 PIECE JIGSAW BLADE SET • T-SHANK

JUEGO — 5 Y 10 PZS. SEGUETAS PARA SIERRA CALADORA



Wood & Plywood

B	L	TPI	Blade Type	Application	Pcs per Pkg	Tool No.
3"	4"	6	High Carbon Steel	Wood	1	601-300
3"	4"	10	High Carbon Steel	Wood	1	601-302
2-5/16"	3-1/4"	21	High Carbon Steel	Wood	1	601-304
2-5/8"	3-5/8"	24	High Carbon Steel	Thin Metals	1	601-310
2-5/8"	3-5/8"	14	Bi-Metal	Thin Metals	1	601-312
5 Piece Set						601-362



Thin Metals

3"	4"	6	High Carbon Steel	Wood	2	601-300
3"	4"	10	High Carbon Steel	Wood	2	601-302
2-5/16"	3-1/4"	21	High Carbon Steel	Wood	2	601-304
2-5/8"	3-5/8"	24	High Carbon Steel	Thin Metals	2	601-310
2-5/8"	3-5/8"	14	Bi-Metal	Thin Metals	2	601-312
10 Piece Set						601-360





JIGSAW BLADES • U-SHANK

SEGUETA PARA SIERRA CALADORA — 2 PZS.



U-Shank jigsaw blades for quick and easy cuts in today's challenging materials.



Wood & Plywood



Wood w/Nails



Laminate



Thin Metals



Ceramic Tile & Fiberglass

B	L	TPI	Blade Type	Application	Shank	Pcs per Pkg	Tool No.
3"	3-5/8"	6	High Carbon Steel	Plywood, Hard/Softwood	U	2	601-340
3"	3-5/8"	10	High Carbon Steel	Plywood, Hard/Softwood	U	2	601-342
2"	2-3/4"	21	High Carbon Steel	Plywood, Hard/Softwood	U	2	601-344

B	L	TPI	Blade Type	Application	Shank	Pcs per Pkg	Tool No.
3-3/16"	4"	6	Bi-Metal	Wood w/Nails	U	2	601-346

B	L	TPI	Blade Type	Application	Shank	Pcs per Pkg	Tool No.
3-3/16"	3-5/8"	10	High Carbon Steel	Laminated Particle Board	U	2	601-348

B	L	TPI	Blade Type	Application	Shank	Pcs per Pkg	Tool No.
2"	2-3/4"	24	High Speed Steel	Thin Metals 1/16" - 1/8"	U	2	601-350
2"	2-3/4"	14	Bi-Metal	Medium-Thin Metals 1/8" - 1/4"	U	2	601-352
2"	2-3/4"	18	Bi-Metal	Medium Metals 5/64" - 7/32"	U	2	601-354

B	L	Grit	Blade Type	Application	Shank	Pcs per Pkg	Tool No.
2"	2-3/4"	30 Grit	Carbide Grit	Ceramic & Fiberglass 3/64" - 3/8"	U	1	601-358

5 & 10 PIECE JIGSAW BLADE SET • U-SHANK

JUEGO — 5 Y 10 PZS. SEGUETAS PARA SIERRA CALADORA



Wood & Plywood



Thin Metals

B	L	TPI	Blade Type	Application	Pcs per Pkg	Tool No.
3"	3-5/8"	6	High Carbon Steel	Wood	1	601-340
3"	3-5/8"	10	High Carbon Steel	Wood	1	601-342
2"	2-3/4"	21	High Carbon Steel	Wood	1	601-344
2"	2-3/4"	24	High Carbon Steel	Thin Metals	1	601-350
2"	2-3/4"	14	Bi-Metal	Thin Metals	1	601-352
5 Piece Set						601-366

3"	3-5/8"	6	High Carbon Steel	Wood	2	601-340
3"	3-5/8"	10	High Carbon Steel	Wood	2	601-342
2"	2-3/4"	21	High Carbon Steel	Wood	2	601-344
2"	2-3/4"	24	High Carbon Steel	Thin Metals	2	601-350
2"	2-3/4"	14	Bi-Metal	Thin Metals	2	601-352
10 Piece Set						601-364



SLOTTED DRIVE SYSTEM (SDS) DRILL BITS

BROCAS PARA CONCRETO-SISTEMA SDS



SDS PLUS carbide tipped bits for Hammer Drills/Rotary Hammers

Excellent for drilling the toughest concrete. Specially designed carbide tips and spiral flutes combine to give the straightest drilling with the quickest removal of dust and chips in any position. Carbide tips & high grade steel body adds longer life to the bit.



SDS MAX carbide tipped bits for Hammer Drills/Rotary Hammers

Similar to above, but available in larger diameters. Specially designed carbide tips and spiral flutes combine to give the straightest drilling with the quickest removal of dust and chips in any position. Carbide tips & high grade steel body adds longer life.



Brick



Stone/Concrete



Hammer Drill

SLOTTED DRIVE SYSTEM **PLUS** CARBIDE TIPPED DRILL BITS

BROCAS PARA CONCRETO-SISTEMA SDS PLUS

Rotary hammer bits with 4 flute carbide tipped head for long drilling life with quick dust removal and greater accuracy under extreme loads.



ØD	B	L	Tool No.	ØD	B	L	Tool No.
5/32"	2"	4"	613-100	1/2"	8"	10"	613-200
5/32"	4"	6"	613-104	1/2"	10"	12"	613-204
3/16"	2"	4"	613-108	1/2"	16"	18"	613-208
3/16"	4"	6"	613-112	1/2"	22"	24"	613-212
3/16"	6"	8"	613-116	9/16"	4"	6"	613-216
3/16"	8"	10"	613-120	9/16"	10"	12"	613-220
3/16"	10"	12"	613-124	9/16"	16"	18"	613-224
7/32"	2"	4"	613-128	5/8"	4"	6"	613-228
7/32"	6"	8"	613-132	5/8"	6"	8"	613-232
7/32"	10"	12"	613-136	5/8"	10"	12"	613-236
1/4"	2"	4"	613-140	5/8"	16"	18"	613-240
1/4"	4"	6"	613-144	5/8"	22"	24"	613-244
1/4"	6"	8"	613-148	11/16"	6"	8"	613-248
1/4"	10"	12"	613-152	3/4"	6"	8"	613-252
1/4"	12"	14"	613-156	3/4"	10"	12"	613-256
5/16"	4"	6"	613-160	3/4"	16"	18"	613-260
5/16"	6"	8"	613-162	3/4"	22"	24"	613-264
5/16"	10"	12"	613-164	7/8"	6"	8"	613-268
3/8"	4"	6"	613-168	7/8"	10"	12"	613-272
3/8"	8"	10"	613-172	7/8"	16"	18"	613-276
3/8"	10"	12"	613-176	1"	8"	10"	613-280
3/8"	16"	18"	613-180	1"	16"	18"	613-284
3/8"	22"	24"	613-184				
7/16"	4"	6"	613-188				
7/16"	10"	12"	613-192				
1/2"	4"	6"	613-196				

Unit Pack: Hanging Hook

SLOTTED DRIVE SYSTEM **PLUS** CARBIDE TIPPED DRILL BITS

BROCAS PARA CONCRETO-SISTEMA SDS PLUS

HEXAGONAL DESIGN

Same as adjacent SDS Drills but with hexagonal design.



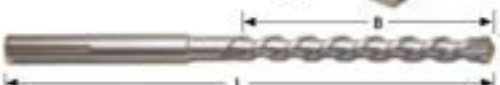
ØD	B	L	Tool No.	ØD	B	L	Tool No.
5/32"	3"	7"	613-500	1/4"	3"	7"	613-506
3/16"	3"	7"	613-502	5/16"	3"	7"	613-510

Unit Pack: Hanging Hook

SLOTTED DRIVE SYSTEM **MAX** CARBIDE TIPPED DRILL BITS

BROCAS PARA CONCRETO-SISTEMA SDS MAX

Rotary hammer bits with 2 flute carbide tipped head for faster drilling of true round holes which produce less vibration for longer life and greater productivity.



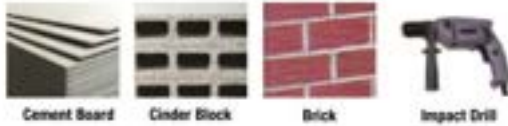
ØD	B	L	Tool No.	ØD	B	L	Tool No.
3/8"	8"	13"	613-400	7/8"	8"	13"	613-452
1/2"	8"	13"	613-404	7/8"	16"	21"	613-456
1/2"	16"	21"	613-408	1"	8"	13"	613-460
9/16"	8"	13"	613-412	1"	16"	21"	613-464
9/16"	16"	21"	613-416	1"	31"	36"	613-468
5/8"	8"	13"	613-420	1-1/8"	10"	15"	613-472
5/8"	16"	21"	613-424	1-1/8"	18"	23"	613-476
5/8"	31"	36"	613-428	1-1/4"	10"	15"	613-480
11/16"	16"	21"	613-432	1-1/4"	18"	23"	613-484
3/4"	8"	13"	613-436	1-1/4"	31"	36"	613-488
3/4"	16"	21"	613-440	1-3/8"	18"	23"	613-492
3/4"	31"	36"	613-444	1-1/2"	18"	23"	613-496
13/16"	16"	21"	613-448				

Unit Pack: Hanging Hook

MASONRY-HAMMER DRILL

BROCA TALADRO-MARTILLO PARA CONCRETO

- Special carbide tips designed to withstand the impact of hammer drills
- Hardened steel body
- For use with hammer drills or rotary impact drills



ØD	L	Per Pk.	Tool No.	ØD	L	Per Pk.	Tool No.
1/8"	3"	1	610-102	1/8"	3"	10	610-602
5/32"	4"	1	610-104	5/32"	4"	10	610-604
3/16"	4"	1	610-106	3/16"	4"	10	610-606
7/32"	4"	1	610-107	7/32"	4"	10	610-607
1/4"	4"	1	610-108	1/4"	4"	10	610-608
5/16"	4"	1	610-110	5/16"	4"	10	610-610
3/8"	4"	1	610-112	3/8"	4"	10	610-612
1/4"	6"	1	610-114	1/4"	6"	10	610-614
5/16"	6"	1	610-116	5/16"	6"	10	610-616
3/8"	6"	1	610-118	3/8"	6"	10	610-618
7/16"	6"	1	610-120	7/16"	6"	10	610-620
1/2"	6"	1	610-122	1/2"	6"	10	610-622
9/16"	6"	1	610-126	9/16"	6"	5	610-626
5/8"	6"	1	610-128	5/8"	6"	5	610-628
3/4"	6"	1	610-130	3/4"	6"	5	610-630
7/8"	6"	1	610-132	1"	6"	3	610-634
1/4"	13"	1	610-500	5/16"	13"	10	610-702
5/16"	13"	1	610-502	7/16"	13"	10	610-708
3/8"	13"	1	610-506	1/2"	13"	10	610-710
7/16"	13"	1	610-508	5/8"	13"	5	610-714
1/2"	13"	1	610-510	3/4"	13"	5	610-716
9/16"	13"	1	610-512	7/8"	13"	3	610-718
5/8"	13"	1	610-514	1"	13"	3	610-720
7/8"	13"	1	610-518				

All sizes over 3/8" diameter have a reduced shank of 3/8" diameter.

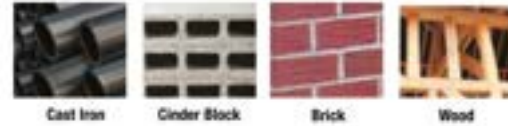
Unit Pack: Individually Carded

Unit Pack: Bulk

MULTI-PURPOSE DRILL BITS

BROCA MULTIUSO

This extremely hard tungsten carbide tip is excellent for use in concrete, marble, cast iron, wood, ceramic and plastics.



ØD	Ød	L	Per Pk.	Tool No.
1/8"	1/8"	2-3/8"	3	606-170
5/32"	5/32"	2-15/16"	1	606-172
3/16"	3/16"	3-5/16"	1	606-174
1/4"	1/4"	3-15/16"	1	606-176
9/32"	9/32"	3-15/16"	1	606-178
5/16"	5/16"	4-3/4"	1	606-180
3/8"	3/8"	4-3/4"	1	606-182
7/16"	3/8"	5-7/8"	1	606-184 *
1/2"	3/8"	5-7/8"	1	606-186 *
4 piece set 1/8, 3/16, 1/4, 5/16			1 of each	606-190

▲ Warning: Not recommended for use on angle iron, stainless steel, galvanized pipe and soft metals (i.e. aluminum, brass, copper).

*These bits have a reduced shank.

Unit Pack: Individually Carded

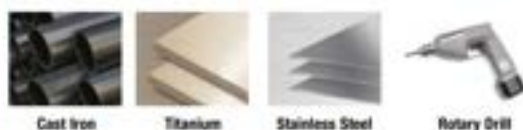
PRO LINE
CARBIDE TIPPED
DRILL BITS

TIMBERLINE

COBALT DRILL BITS

BROCAS CON RECUBRIMIENTO DE COBALTO

- Heat resistance treated
- Designed for drilling in extremely hard and abrasive materials like cast iron, titanium and stainless steel



Cast Iron

Titanium

Stainless Steel

Rotary Drill



ØD	Ød	L	Per Pk.	Tool No.
1/32"	1/32"	1-3/8"	10	611-200
3/64"	3/64"	1-3/4"	10	611-202
1/16"	1/16"	1-7/8"	10	611-204
5/64"	5/64"	2"	10	611-206
3/32"	3/32"	2-1/4"	10	611-208
7/64"	7/64"	2-5/8"	10	611-210
1/8"	1/8"	2-3/4"	10	611-212
9/64"	9/64"	2-7/8"	10	611-214
5/32"	5/32"	3-1/8"	10	611-216
3/16"	3/16"	3-1/2"	10	611-218
7/32"	7/32"	3-3/4"	10	611-219
1/4"	1/4"	4"	10	611-220
5/16"	5/16"	4-1/2"	5	611-222
3/8"	3/8"	5"	5	611-224
7/16"	7/16"	5-1/2"	5	611-226
1/2"	1/2"	6"	5	611-228
9/16"	9/16"	6-3/4"	5	611-230

Unit Pack: Bulk 10 / Empaque Al Granel - 10pzs

Unit Pack: Bulk 5 / Empaque Al Granel - 5pzs

HIGH-SPEED STEEL (HSS) DRILL SETS

BROCA DE ACERO DE ALTA VELOCIDAD

- Precision ground for drilling wood, plastic and metal
- 135° split point designed for easy starting
- Drills faster than regular high-speed steel drills
- Black oxide finish



Description	Tool No.
7 Pc Set (1/16", 3/32", 1/8", 5/32", 3/16", 7/32", 1/4")	630-310
10 Pc Set (1/16", 5/64", 3/32", 7/64", 1/8", 9/64", 5/32", 3/16", 7/32", 1/4")	630-312
13 Pc Set (1/16", 5/64", 3/32", 7/64", 1/8", 9/64", 5/32", 11/64", 3/16", 13/64", 7/32", 15/64", 1/4")	630-314

Unit Pack: Individually Carded

HIGH-SPEED STEEL (HSS) DRILL

BROCA DE ACERO DE ALTA VELOCIDAD

- Precision ground for drilling wood, plastic and metal
- 135° split point designed for easy starting
- Drills faster than regular high-speed steel drills
- Black oxide finish



Wood

Metals

Impact Drill

PVC

Non-Ferrous



ØD	L	Per Pk.	Tool No.	ØD	L	Per Pk.	Tool No.
1/32"	1-3/8"	3	611-100	9/32"	4-1/4"	1	611-132
3/64"	1-3/4"	3	611-102	19/64"	4-3/8"	1	611-134
1/16"	1-7/8"	3	611-104	5/16"	4-1/2"	1	611-136
5/64"	2"	3	611-106	21/64"	4-5/8"	1	611-138
3/32"	2-1/4"	3	611-108	11/32"	4-3/4"	1	611-140
7/64"	2-5/8"	3	611-110	23/64"	4-7/8"	1	611-142
1/8"	2-3/4"	3	611-112	3/8"	15"	1	611-144
9/64"	2-7/8"	1	611-114	25/64"	5-1/8"	1	611-146
5/32"	3-1/8"	1	611-116	13/32"	5-1/4"	1	611-148
11/64"	3-1/4"	1	611-118	27/64"	5-3/8"	1	611-150
3/16"	3-1/2"	1	611-120	7/16"	5-1/2"	1	611-152
13/64"	3-5/8"	1	611-122	29/64"	5-5/8"	1	611-154
7/32"	3-3/4"	1	611-124	15/32"	5-3/4"	1	611-156
15/64"	3-7/8"	1	611-126	1/2"	6"	1	611-162
1/4"	4"	1	611-128	9/16"	6-5/8"	1	611-168
17/64"	4-1/8"	1	611-130				

Unit Pack: Individually Carded
Empaque Blister

ØD	Per Pk.	Tool No.	ØD	Per Pk.	Tool No.
1/32"	10	611-500	1/4"	10	611-528
3/64"	10	611-502	17/64"	10	611-530
1/16"	10	611-504	19/64"	5	611-534
5/64"	10	611-506	5/16"	5	611-536
3/32"	10	611-508	21/64"	5	611-538
7/64"	10	611-510	23/64"	5	611-542
1/8"	10	611-512	3/8"	5	611-544
9/64"	10	611-514	5/32"	10	611-516
7/16"	5	611-552	11/64"	10	611-518
15/32"	5	611-556	3/16"	10	611-520
1/2"	5	611-562	13/64"	10	611-522
9/16"	5	611-568			
7/32"	10	611-524			

NOTE: All sizes over 3/8" diameter have a reduced shank of 3/8" diameter

Unit Pack: Bulk 10 / Empaque Al Granel - 10pzs

Unit Pack: Bulk 5 / Empaque Al Granel - 5pzs

TITANIUM NITRIDE COATED DRILL BITS

BROCAS CON RECUBRIMIENTO DE TITANIO

- Precision ground for drilling in wood, metals, PVC and non-ferrous
- 135° split point designed for easy starting
- Coating provides added protection from heat build-up
- 6X's longer tool life than HSS



ØD	L	Per Pk.	Tool No.	ØD	L	Per Pk.	Tool No.
1/32"	1-3/8"	3	616-100	19/64"	4-3/8"	1	616-134
3/64"	1-3/4"	3	616-102	5/16"	4-1/2"	1	616-136
1/16"	1-7/8"	3	616-104	11/32"	4-3/4"	1	616-140
5/64"	2"	3	616-106	23/64"	4-7/8"	1	616-142
3/32"	2-1/4"	3	616-108	3/8"	5"	1	616-144
7/64"	2-5/8"	3	616-110	25/64"	5-1/8"	1	616-146
1/8"	2-3/4"	3	616-112	13/32"	5-1/4"	1	616-148
9/64"	2-7/8"	1	616-114	27/64"	5-3/8"	1	616-150
5/32"	3-1/8"	1	616-116	7/16"	5-1/2"	1	616-152
11/64"	3-1/4"	1	616-118	15/32"	5-3/4"	1	616-156
3/16"	3-1/2"	1	616-120	1/2"	6"	1	616-162
7/32"	3-3/4"	1	616-124	9/16"	6-5/8"	1	616-168
15/64"	3-7/8"	1	616-126	3/32"	2-1/4"	10	616-109*
1/4"	4"	1	616-128	7/64"	2-5/8"	10	616-111*
17/64"	4-1/8"	1	616-130	1/8"	2-3/4"	10	616-113*
9/32"	4-1/4"	1	616-132	3/16"	3-1/2"	10	616-121*

NOTE: All sizes over 3/8" diameter have a reduced shank of 3/8" diameter
 Unit Pack: Individually Carded
 *Unit Pack: Bulk 10 pcs

BRAD POINT DRILL

BROCA DE PUNTILLA PARA MADERA



Brad Point drill bits are the bits of choice for precision wood cutting. They overcome the tendency to walk at the start of a hole and reduce tearout at the perimeter of the hole. The bits are made from high speed steel. They are fully ground and polished to give superior chip clearance.

We carry an extensive line of individual sizes ranging from 1/16" to 1". Our 7 piece set (606-200) is available with 7 of the most popular sizes 1/8", 3/16", 1/4", 5/16", 3/8", 7/16", 1/2".



Wood



Rotary Drill



606-200

7pc. Brad Point Drill Bit Set



ØD	Ød	L	Tool No.
1/16"	1/16"	1-7/8"	606-100*
5/64"	5/64"	2"	606-102*
3/32"	3/32"	2-1/4"	606-104*
7/64"	7/64"	2-5/8"	606-106*
1/8"	1/8"	2-3/4"	606-108*
9/64"	9/64"	2-7/8"	606-110*
5/32"	5/32"	3-1/8"	606-112
11/64"	11/64"	3-1/4"	606-114
3/16"	3/16"	3-1/2"	606-116
5mm	5mm	3-5/16"	606-117
13/64"	13/64"	3-5/8"	606-118
7/32"	7/32"	3-3/4"	606-120
6mm	6mm	3-9/16"	606-123
1/4"	1/4"	4"	606-124
17/64"	17/64"	4-1/8"	606-126
19/64"	19/64"	4-3/8"	606-130
5/16"	5/16"	4-1/2"	606-132
8mm	8mm	4-7/16"	606-133
11/32"	11/32"	4-3/4"	606-136
3/8"	3/8"	5"	606-140
25/64"	3/8"	5-1/8"	606-142
10mm	10mm	6-1/2"	606-143
7/16"	3/8"	5-1/2"	606-148
1/2"	3/8"	6"	606-156
15mm	1/2"	6-5/8"	606-157
5/8"	1/2"	6-5/8"	606-158
3/4"	1/2"	7-3/4"	606-160
7/8"	1/2"	8-1/4"	606-162
1"	1/2"	8-3/4"	606-164
7pc. Brad Point Drill Set in Metal Box			606-200

* Not Brad Point
 Unit Pack: Individually Carded



BI-METAL HOLE SAW

SIERRA COPA BI-METALICA

- Precision-sharpened teeth for smooth, fast cuts
- Cuts clean holes in wood, plastic, metal & gypsum boards
- Lasts up to 5 times longer than carbon steel hole saws
- Ideal for carpenters, electricians and plumbers



Cuts smooth, clean holes in metals.

Diameter		Cutting Depth		Mandrel	Tool No.
Inch	mm	Inch	mm		
5/8"	16mm	2-1/8"	54mm	602-330, 602-334, 602-336	602-100
3/4"	19mm	2"	51mm	602-330, 602-334, 602-336	602-104
13/16"	21mm	2"	51mm	602-330, 602-334, 602-336	602-106
7/8"	22mm	2"	51mm	602-330, 602-334, 602-336	602-108
1"	25mm	2"	51mm	602-330, 602-334, 602-336	602-112
1-1/16"	27mm	2"	51mm	602-330, 602-334, 602-336	602-114
1-1/8"	29mm	2"	51mm	602-330, 602-334, 602-336	602-116
1-3/16"	30mm	2"	51mm	602-330, 602-334, 602-336	602-118
1-1/4"	32mm	2"	51mm	602-332, 602-338	602-120
1-5/16"	33mm	2"	51mm	602-332, 602-338	602-122
1-3/8"	35mm	2"	51mm	602-332, 602-338	602-124
1-7/16"	37mm	1-3/4"	44mm	602-332, 602-338	602-126
1-1/2"	38mm	1-3/4"	44mm	602-332, 602-338	602-128
1-9/16"	40mm	1-3/4"	44mm	602-332, 602-338	602-130
1-3/4"	44mm	1-3/4"	44mm	602-332, 602-338	602-136
1-7/8"	48mm	1-3/4"	44mm	602-332, 602-338	602-138
2"	51mm	1-3/4"	44mm	602-332, 602-338	602-140
2-1/16"	52mm	1-3/4"	44mm	602-332, 602-338	602-142
2-1/8"	54mm	1-3/4"	44mm	602-332, 602-338	602-144
2-1/4"	57mm	1-3/4"	44mm	602-332, 602-338	602-146
2-5/16"	59mm	1-3/4"	44mm	602-332, 602-338	602-148
2-3/8"	60mm	1-3/4"	44mm	602-332, 602-338	602-150
2-1/2"	64mm	1-3/4"	44mm	602-332, 602-338	602-152
2-9/16"	65mm	1-3/4"	44mm	602-332, 602-338	602-154
2-5/8"	67mm	1-3/4"	44mm	602-332, 602-338	602-156
2-3/4"	70mm	1-3/4"	44mm	602-332, 602-338	602-158
2-7/8"	73mm	1-3/4"	44mm	602-332, 602-338	602-160
3"	76mm	1-3/4"	44mm	602-332, 602-338	602-162
3-1/8"	79mm	1-3/4"	44mm	602-332, 602-338	602-164
3-1/4"	83mm	1-3/4"	44mm	602-332, 602-338	602-166
3-3/8"	86mm	1-3/4"	44mm	602-332, 602-338	602-168
3-1/2"	89mm	1-3/4"	44mm	602-332, 602-338	602-170
3-3/4"	95mm	1-3/4"	44mm	602-332, 602-338	602-174
4"	102mm	1-3/4"	44mm	602-332, 602-338	602-178
4-1/8"	105mm	1-3/4"	44mm	602-332, 602-338	602-180
4-1/2"	114mm	1-3/4"	44mm	602-332, 602-338	602-182
6"	152mm	1-3/4"	44mm	602-332, 602-338	602-188

Unit Pack Individually Carded



Excellent for wood & other materials.



BI-METAL HOLE SAW MANDRELS

MANDRIL PARA SIERRA COPA

- To be used in conjunction with our bi-metal hole saws
- 1/4" high speed steel pilot drill included



Shank Size	Fits Hole Saw Size	Drill Size	Tool No.
3/8" Hex	9/16" - 1-3/16"	3/8"	602-330
7/16" Hex	1-1/4" - 6"	1/2"	602-332
1/4" Round	9/16" - 1-3/16"	1/4"	602-334
7/16" Hex	9/16" - 1-3/16"	1/2"	602-336
3/8" Hex	1-1/4" - 6"	3/8"	602-338

Unit Pack: Individually Carded

Replacement Pilot Drills:

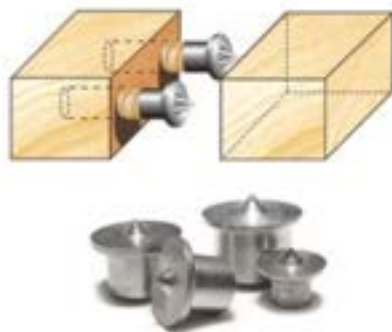
Broca Guía Para Mandril:

Tool No.	Size	Fits Mandril
		602-334
602-202	1/4" x 3"	602-330, 602-332, 602-336, 602-338

DOWEL CENTER SET

JUEGO DE PUNTAS METALICAS PARA CENTRAR CLAVIJAS

8 piece metal dowel centers for lining up dowels accurately.



Description	Tool No.
8 pc. set: (2)1/4", (2)5/16", (2)3/8", (2)1/2"	608-104

Unit Pack: Individually Carded

TITANIUM COATED STEP DRILL

BROCA ESCALONADA CON RECUBRIMIENTO DE TITANIO

Excellent for cutting in copper, brass, aluminum, metal, sheet metal, plastics, wood and wood veneers up to 1/8" thick.



Metals

Brass

Plastic



Rotary Drill



OD	Increments	Step Depth	Id	Tool No.
1/8" - 1/2"	1/32"	1/8"	1/4"	608-780
3/16" - 7/8"	1/16"	1/8"	1/4"	608-782
9/16" - 1"	1/8"	1/8"	3/8"	608-784

Unit Pack: Individually Carded

7 PC. SPLIT RING DEPTH STOP SET

JUEGO 7 PZS. ANILLOS DE TOPE



Drill bits not included.

Description	Tool No.
7 pc. set: 1/8", 3/16", 1/4", 5/16", 3/8", 7/16" & 1/2"	4020

Hex wrench included.

Unit Pack: Individually Carded

TIMBERLINE

PRO LINE

DRILLING & BORING

QUICK RELEASE DRILL SYSTEM
SISTEMA DE CAMBIO RAPIDO PARA TALADRO

All Quick Release accessories have 1/4" hex shank for "Quick Release" type chucks.



QUICK RELEASE KEYLESS CHUCK

MANDRIL/BROQUERO SIN LLAVE

1/4" Hex Shank

Features a quick-release mechanism that makes tool changes simple and fast. Works with our countersink and drill bit accessories or any 1/4" hex power bit.

Solid steel construction, knurled locking collar and no-slip 3/8" Hex Shank to fit in any drill, cordless drill or drill press with 3/8" or larger chuck or keyless chuck.



OD	Od	Tool No.
1/4"	3/8"	608-100

Unit Pack: Individual Clearshell

DRILL ADAPTERS WITH DRILL BITS

ADAPTADOR CAMBIO RAPIDO CON BROCA

Includes HSS twist drill bit. You can also use these adapters with brad point, tapered, split point and any other type of drill bit.



OD	L	Repl. Drill Bit	Tool No.
5/64"	3-3/4"	630-001	606-200
3/32"	3-3/4"	630-002	606-202
7/64"	3-3/4"	630-098	606-204
9/64"	3-3/4"	630-802	606-208
11/64"	3-3/4"	630-302	606-212
3/16"	3-3/4"	630-402	606-214
7/32"	4"	630-502	606-216
15/64"	4"	630-602	606-218
1/4"	4"	630-702	606-220

Unit Pack: Individually Carded

DRILL ADAPTERS W/TAPER POINT DRILLS

ADAPTADOR CAMBIO RAPIDO CON BROCA ESCALONADA

1/4" Hex Shank with Quick Change Adapter • HSS (M2) Drill



OD mm	OD Inch	L	Repl. Drill Bit	Tool No.
2.0mm	5/64"	3"	630-260	606-260
2.4mm	3/32"	3-9/32"	630-262	606-262
3.2mm	1/8"	3-3/8"	630-266	606-266
3.6mm	9/64"	3-7/16"	630-268	606-268
4.8mm	3/16"	4-9/32"	630-274	606-274
5.6mm	7/32"	5"	630-276	606-276
6.3mm	1/4"	5-5/16"	630-278	606-278

Unit Pack: Individually Carded

RTA FURNITURE DRILLS/COUNTERSINKS

AVELLANADOR CAMBIO RAPIDO CON BROCA PARA TORNILLOS DE MUEBLES

1/4" Hex Shank

RTA furniture step drill bit creates steps for the "Confirmat" style furniture screw. Used for drilling pilot hole, clearance hole and countersinking.



OD	OD1	OD2	Tool No.
Drill Size	RTA Screw Size	Countersink Dia.	
3.5mm	5.0mm	7.0mm	606-150
5.0mm	7.0mm	10.0mm	606-152

Replacement 3.5mm HSS slow spiral drill bit, 2-3/4" long, #55104.
Replacement 5.0mm HSS slow spiral drill bit, 3-7/16" long, #55105.
Replacement #10-24 set screw, #67092 (requires #5000 3/32" hex key).

Unit Pack: Individually Carded

CARBIDE TIPPED COUNTERSINKS

AVELLANADOR CON PUNTAS DE CARBURO (INCLUYE BROCA)

1/4" Hex Shank

Drill pilot hole and tapered countersink for wood screws. Carbide tipped for long lasting results in hardwood, plywood, plastic, etc.



OD	*Wood Screw Size	OD1 Countersink Dia.	Tool No.
5/64"	#4	3/8"	608-110
3/32"	#6	3/8"	608-112
7/64"	#8	3/8"	608-114
1/8"	#10	3/8"	608-116
9/64"	#12	1/2"	608-118
5/32"	#12 & #14	3/8"	608-119

*Recommended wood screw sizes represent general purpose applications. Harder or softer materials may require different size pilot holes.

Unit Pack: Individually Carried

DEPTH STOPS FOR COUNTERSINKS

ANILLOS DE TOPES

1/4" Hex Shank

Adjustable to control the depth of countersinks listed in above table.



Countersink not included.

Fits the Following Countersinks	Tool No.
608-110, 608-112, 608-114, 608-116, 608-118	608-120

Unit Pack: Individually Carried

CARBIDE TIPPED COUNTERBORES

AVELLANADOR CON PUNTAS DE CARBURO (INCLUYE BROCA)

1/4" Hex Shank

Flat bottom counterbores for using round head screws, hex bolts, etc. Includes pilot drill.



OD	OD1 Counterbore Dia.	Tool No.
5/32"	3/8"	608-130
3/16"	3/8"	608-132
3/16"	1/2"	608-134
1/4"	1/2"	608-136
1/4"	5/8"	608-138

Unit Pack: Individually Carried

3 PIECE MAGNETIC BIT HOLDER SET

JUEGO 3 PZAS ADAPTADORES MAGNETICOS

1/4" Hex Shank



3-Pc Set includes 2-1/4", 3" and 4"
608-500, 608-502 and 608-504

Tool No.
608-508

Unit Pack: Individually Carried
Items Also Sold Individually - See Page 61

HSS COUNTERSINKS

AVELLANADOR DE ACERO ALTA VELOCIDAD (INCLUYE BROCA)

1/4" Hex Shank

Individual HSS countersinks designed for screw sizes #4-12.



Screw Size #	OD	Tool No.	Replacement Drill Bits	
			Description	Tool No.
4-5	5/64"	608-140	HSS bit for 608-140	630-001
6-7	3/32"	608-142	HSS bit for 608-142	630-002
8-9	7/64"	608-144	HSS bit for 608-144	630-098
10	1/8"	608-146	HSS bit for 608-146	630-102
12	9/64"	608-148	HSS bit for 608-148	630-802

Unit Pack: Individually Carried

PLUG CUTTERS

CORTADOR DE TAPONES PARA MADERA

1/4" Hex Shank

Self-ejecting style for making your own wood plugs.
3/8" size is #4 through #10 screws and 1/2" is for #12 screws.



OD	Tool No.
1/4"	608-251
3/8"	608-250
1/2"	608-254
5/8"	608-256
4 Pc. Set 1/4", 3/8", 1/2", 5/8"	608-258

Unit Pack: Individually Carried

TIMBERLINE

PRO LINE
QUICK RELEASE DRILLING & BORING

82° HSS COUNTERSINKS

AVELLANADOR HSS M2-82 GRADOS

1/4" Hex Shank

5 Flute
Precision Ground
M2 High Speed Steel (HSS)



OD	d	Tool No.
1/4"	1/4"	608-760
5/16"	1/4"	608-761
3/8"	1/4"	608-762
1/2"	1/4"	608-763
5/8"	1/4"	608-764
3/4"	1/4"	608-765

Unit Pack: Individually Carded

TITANIUM COATED 82° HSS COUNTERSINKS

AVELLANADOR HSS M2-82 GRADOS CON RECUBRIMIENTO DE TITANIO

1/4" Hex Shank

5 Flute
Precision Ground
M2 High Speed Steel (HSS)



OD	d	Tool No.
1/4"	1/4"	608-750
5/16"	1/4"	608-751
3/8"	1/4"	608-752
1/2"	1/4"	608-753
3/4"	1/4"	608-755

Unit Pack: Individually Carded

SELF CENTERING DRILL BIT GUIDES

GUIA AUTOCENTRADA CON BROCA PARA COLOCACION DE TORNILLO P/BISAGRA

1/4" Hex Shank

Create accurate screw holes when installing new hinges to a door. Spring-loaded end for locating hinge screw holes, includes HSS twist drill bit. Bright plated finish.



Drill Size	Screw #	Replacement Drill Bit	Tool No.
5/64"	6	630-520	608-520
7/64"	8	630-522	608-522
9/64"	10	630-524	608-524
11/64"	12	630-526	608-526
5mm	14	630-528	608-528

Unit Pack: Individually Carded

CARBIDE TIPPED GLASS & TILE DRILLS

BROCAS CON PUNTAS DE CARBURO PARA VIDRIO, AZULESO, LOZA Y PORCELANA

1/4" Hex Shank

With the unique spear-point tungsten carbide tip, these bits will cut a perfectly round hole without chipping or breaking. For drilling glass and ceramic tile.



OD mm	OD Inch	d	L	Max RPM	Tool No.
3mm	1/8"	1/4"	2-1/4"	1,000	608-290
4mm	5/32"	1/4"	2-1/4"	1,000	608-292
5mm	3/16"	1/4"	2-9/16"	600	608-294
6mm	1/4"	1/4"	2-7/8"	600	608-296
8mm	5/16"	1/4"	3-1/8"	500	608-298
10mm	3/8"	1/4"	3-3/4"	500	608-300
12mm	1/2"	1/4"	3-3/4"	320	608-302
4 Pc. Set 1/8", 3/16", 1/4", 5/16"					608-304

Unit Pack: Individually Carded

SOCKET ADAPTERS

ADAPTADOR PARA DADOS

1/4" Hex Shank

Converts your drill into a power nut setter.



OD	L	Tool No.
1/4"	2-3/8"	608-550
3/8"	2-3/8"	608-552
1/2"	2-3/8"	608-554

Unit Pack: Individually Carded

FACE FRAME COUNTERBORE

SISTEMA CON PUNTA DE CARBURO PARA ENSAMBLE DE MARCOS (INCLUYE BROCA)

1/4" Hex Shank

Carbide tipped with High Speed Steel drill. Used for making "pocket holes".



OD	OD1	L	Description	Tool No.
3/8"	.136"	4"	Counter Bore #1	608-160
.130"	.136"	3"	#29 HSS Fishtail Drill Bit	608-162

Unit Pack: Plastic Hanging Tube

SPADE BITS WITH SPURS • 6" LONG

BROCA PLANA PARA PERFORACION EN MADERAS

1/4" Hex Shank

Precision ground and hardened steel spade bits for general purpose drilling of hard & softwood and wood by-products.



Minimum purchase quantity of 5 pieces.

Diameter	Length	Tool No.
1/4"	6"	608-398
5/16"	6"	608-399
3/8"	6"	608-400
7/16"	6"	608-402
1/2"	6"	608-410
9/16"	6"	608-412
5/8"	6"	608-420
11/16"	6"	608-422
3/4"	6"	608-430
13/16"	6"	608-432
7/8"	6"	608-440
15/16"	6"	608-442
1"	6"	608-450
1-1/8"	6"	608-460
1-1/4"	6"	608-470
1-3/8"	6"	608-480
1-1/2"	6"	608-490

Unit Pack: Individual Vinyl Pouch

SPADE BITS WITH SPURS • 16" LONG

BROCA PLANA PARA PERFORACION EN MADERAS

1/4" Hex Shank



ØD	Length	Tool No.
3/8"	16"	604-880
1/2"	16"	604-890
5/8"	16"	604-900
3/4"	16"	604-910
7/8"	16"	604-920
1"	16"	604-930

Unit Pack: Individual Vinyl Pouch

CEILING TILE HANGER

ADAPTADOR PARA TORNILLOS DE TECHOS SUSPENDIDOS

1/4" Hex Shank

Unique tool for fastening special screws used in the installation of hanging ceiling grids.



ØD	Tool No.
1/4"	608-556
5/16"	608-558

Unit Pack: Individually Carded

MAGNETIC BIT HOLDER

ADAPTADOR RETRACTIL MAGNETICO PARA PUNTAS

1/4" Hex Shank

Accommodates all 1/4" hex insert bits for all driver/drills.



L	Tool No.
2-1/4"	608-500
3"	608-502
4"	608-504

3 Piece Set (includes 2-1/4", 3" and 4") 608-508

Unit Pack: Individually Carded

MAGNETIC DRIVE GUIDE

ADAPTADOR RETRACTIL MAGNETICO

1/4" Hex Shank

Retracting screw holder for driving screws. 1/4" hex head fits all power driving bit tips. Carded.



L	Tool No.
80mm	608-510
120mm	608-512

Unit Pack: Individually Carded

TIMBERLINE

PRO LINE
QUICK RELEASE DRILLING & BORING

TITANIUM COATED HSS DRILL SAW

BROCA HSS CON RECUBRIMIENTO DE TITANIO

High speed steel titanium coated all purpose drill saw. For use on wood and plywood 1/4" diameter hex head shank with 1-1/2" cut length. Handy for enlarging existing holes or cutting irregular shapes or contours.



OD	B	L	Tool No.
1/4"	1-1/2"	4-1/4"	608-102

Unit Pack: Individually Carded

MAGNETIC NUT SETTERS

ADAPTADOR MAGNÉTICO TUERCAS

1/4" Hex Shank

Universal 1/4" shank fits all drills and drivers. Used for power driving hex head screws, bolts and nuts.



OD	L	Packed	Tool No.
1/4"	1-7/8"	1 per card	608-560
1/4"	2-9/16"	1 per card	608-562
5/16"	1-7/8"	1 per card	608-564
5/16"	2-9/16"	1 per card	608-566
3/8"	1-7/8"	1 per card	608-568
3/8"	2-9/16"	1 per card	608-570
7/16"	1-7/8"	1 per card	608-572
7/16"	2-9/16"	1 per card	608-574
1/2"	1-7/8"	1 per card	608-576
1/2"	2-9/16"	1 per card	608-578

Unit Pack: Individually Carded / Enpaque Blister

OD	L	Jar Packed	Tool No.
1/4"	2-9/16"	50 piece jar	608-563
5/16"	2-9/16"	50 piece jar	608-567
3/8"	2-9/16"	50 piece jar	608-571

Unit Pack: Bulk / Enpaque Al Granel

QUICK RELEASE EXTENSIONS

EXTENSION PARA BROCA PLANA - CAMBIO RAPIDO

1/4" Hex Shank



OD	L	Tool No.
1/4"	6"	604-932
1/4"	12"	604-934

Unit Pack: Individually Carded

SLOTTED SCREW BIT TIPS

PUNTA PLANA

1/4" Hex Shank



OD Screw Size	L	Tool No.
#6	1"	608-610
#8	1"	608-612
#10	1"	608-614
#12	1"	608-616
#6	2"	608-640
#8	2"	608-642
#10	2"	608-644

Unit Pack: 5 pieces per card / Enpaque Blister - Spzs.

SQUARE BIT TIPS

PUNTA CUADRADA

1/4" Hex Shank



OD Screw Size	L	Tool No.
#1	1"	608-620
#2	1"	608-622
#1	2"	608-650
#2	2"	608-652
#3	2"	608-654

Unit Pack: 5 pieces per card / Enpaque Blister - Spzs.

SQUARE BIT TIPS

PUNTA CUADRADA

1/4" Hex Shank



OD Screw Size	L	Pcs. Per Jar	Tool No.
#2	2"	150	608-623

Unit Pack: Bulk / Enpaque Al Granel

PHILLIPS SCREW BIT TIPS

PUNTA PHILLIPS

1/4" Hex Shank



ØD Screw Size	L	Tool No.
#0	1"	608-600
#1	1"	608-602
#1	2"	608-630
#2	1"	608-604
#2	2"	608-632
#2	3"	608-605
#2	4"	608-608
#2	6"	608-609
#3	1"	608-606
#3	2"	608-634

Unit Pack: 5 pieces per card / Empaque Blister - 5pcs.

MAGNETIC PHILLIPS SCREW BIT TIPS

PUNTA MAGNETICA PHILLIPS



ØD Screw Size	L	Packed	Tool No.
#2	1"	5 pieces per card	608-904
#2	2"	5 pieces per card	608-932

Unit Pack: 5 pieces per card / Empaque Blister - 5pcs.

25 PIECE PHILLIPS SCREW BIT TIPS

PUNTA PHILLIPS

1/4" Hex Shank



ØD Screw Size	L	Tool No.
#2	1"	608-691
#2	2"	608-639

Unit: 25 pieces per bag with hanging card / Empaque Bolsita - 25pcs. Unit

31 PIECE PHILLIPS DRIVER BIT SET

PUNTA PHILLIPS

1/4" Hex Shank

Includes quick release Phillips screw bit tips with magnetic drive guide holder. For #2 screw size.



Description	Tool No.
30 Phillips Screw Bit Tips, 1" Long for #2 Screw Size	4033

PHILLIPS SCREW BIT TIPS

PUNTA PHILLIPS

1/4" Hex Shank



ØD Screw Size	L	Pcs. Per Jar	Tool No.
#2	6"	50	608-636
#2	4"	100	608-635
#2	2"	150	608-633
#3	2"	150	608-637
#2	1"	250	608-690

Unit Pack: Bulk / Empaque Al Granel

DRYWALL BIT TIPS

PUNTA PARA TABLA DE YESO

1/4" Hex Shank

Longer life with increased durability. Reinforced tip for longer life than a standard bit.



ØD Screw Size	L	Packed	Tool No.
#2	1"	5 pieces per card	608-800

Unit Pack: 5 pieces per card / Empaque Blister - 5pcs.

TITANIUM NITRIDE COATED DRYWALL BIT TIPS

PUNTA PARA TABLA DE YESO CON RECUBRIMIENTO DE TITANIO

1/4" Hex Shank

Bits coated with titanium reduce slippage and adds more gripping power to protect the tip.



ØD Screw Size	L	Packed	Tool No.
#2	1"	Bulk packed 250 pcs.	608-803

TIMBERLINE

PRO LINE
QUICK RELEASE DRILLING & BORING

ADJUSTABLE DRYWALL SCREW SETTER

FLIJADOR AJUSTABLE PARA TABLA DE YESO

1/4" Hex Shank

Select the depth of your screw height where you want it in drywall, plywood or particle board. Phillips #2 bit tip included.



Description	Tool No.
Drywall screw setter for #2 Phillips screws	4019

Unit Pack: Individually Carded

HEX BIT TIPS

PUNTA HEXAGONAL

1/4" Hex Shank



ØD	L	Tool No.
1/16"	1"	608-660
3/32"	1"	608-662
1/8"	1"	608-664

Unit Pack: 5 pieces per card / Empaque Blister - 5pzs.

POZIDRIVE® INSERT BITS

PUNTA POZIDRIVE®

1/4" Hex Shank



ØD Screw Size	L	Tool No.
#1	1"	608-670
#1	2"	608-671
#2	1"	608-673
#2	2"	608-674
#2	3"	608-675
#3	1"	608-676
#3	3"	608-678

Pozidrive® is a registered trademark of Camcar Division of Textron, Inc.

Unit Pack: 5 pieces per card / Empaque Blister - 5pzs.

DRYWALL SCREW SETTER

FLIJADOR DE TORNILLOS PARA TABLA DE YESO

Sets your #2 Phillips screw head at a depth just below the plane of your drywall, plywood or particle board.



Description	Tool No.
Economy drywall screw setter for #2 Phillips screws	4018

Unit Pack: Individually Carded

TORX® INSERT BITS

PUNTA TORX®

1/4" Hex Shank



ØD Screw Size	L	Tool No.
T6	1"	608-700
T7	1"	608-701
T8	1"	608-702
T9	1"	608-703
T10	1"	608-704
T30	1"	608-709
T40	1"	608-710
T7	2"	608-712
T9	2"	608-714
T15	2"	608-716
T20	2"	608-717
T25	2"	608-718
T30	2"	608-720
T40	2"	608-721

Torx® is a registered trademark of Camcar Division of Textron, Inc.

Unit Pack: 5 pieces per card / Empaque Blister - 5pzs.

BROKEN SCREW REMOVER

EXTRACTOR DE TORNILLOS DAÑADOS

1/4" Hex Shank

Designed to remove #6 to #14 screws with Phillips, Square or Slotted heads.

This tool allows you to drill out the damaged screw quickly, by inserting the bit into your drill. Firmly, hold the tip against the damaged screw head and reverse it out. The extremely sharp edges bite into the damaged screw head & work the screw out.

Requires reversible drill.

Not recommended for deck screws.



Screw Size	Tool No.
#6 - #8	608-731
#8 - #10	608-732
#10 - #14	608-733

Unit Pack: Individually Cased

11 PC. DRILL & DRIVE COUNTERSINK SET

JUEGO-11 PZS. AVELLANADORES C/BROCAS Y PUNTAS PARA DESTORNILLADORAS

This set includes 4 tool-steel countersinks designed for No. 6, 8, 10, 12 screws and 3/32", 7/64", 1/8" and 9/64" drill bits.

Also included are 3 Phillips screw tips (No. 0, 1, 2), 2 slotted screw tips and a quick release chuck*.



Chuck Mandril

Description	Tool No.
11 piece set with case	608-530

Unit Pack: Individually Cased

*This quick release chuck is not sold separately - only as part of a set



5 PC. QUICK RELEASE COUNTERSINK SET

JUEGO-5 PZS. AVELLANADOR CON BROCA CAMBIO RAPIDO

Use this item for fast, keyless tool changes. Set includes five individual 82° countersinks and 2" long twist drill bits for #4 through #12 wood screws. Hardened tool steel with black oxide finish. Made in U.S.A.



Description	Tool No.
5 pc. set includes 5/64", 3/32", 7/64", 1/8" & 9/64" drills	TDS-500

Unit Pack: Clamshell

TIMBERLINE

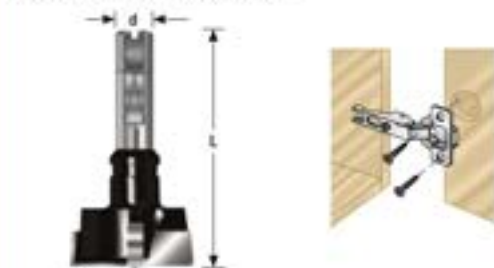
PRO LINE
QUICK RELEASE DRILLING & BORING

HINGE BORING (EUROPEAN)

BROCA PARA BISAGRAS CON PUNTA DE CARBURO

57mm long • 10mm shank • 2 Wing with spurs • Carbide tipped

For European style concealed hinges. Includes side cutting "spurs" for fast, clean boring. Economically priced.



ØD	d	L	Tool No.
15mm	10mm	57mm	620-150
18mm	10mm	57mm	620-180
20mm	10mm	57mm	620-200
25mm	10mm	57mm	620-250
26mm	10mm	57mm	620-260
35mm	10mm	57mm	620-350

Unit Pack: Individually Carded

CARBIDE TIPPED BORING

BROCA CON PUNTAS DE CARBURO PARA BISAGRAS EUROPEAS

1/4" Hex Shank

Drill pilot hole and tapered countersink for wood screws. Carbide tipped for long lasting results in hardwood, plywood, plastic, etc.



ØD	L	Tool No.
25mm	55mm	608-174
30mm	55mm	608-178
35mm	55mm	608-180

Unit Pack: Individually Carded

TAPERED WOOD PLUG CUTTERS

CORTADOR CONICO PARA TAPAS DE MADERA

Quality wood cutters for making smooth tapered plugs.



ØD	d	L	Tool No.
1/4"	3/8"	2"	607-300
3/8"	3/8"	2"	607-310
1/2"	3/8"	2"	607-320
5/8"	3/8"	2"	607-330

Unit Pack: Individually Carded

FLAT BOTTOM COUNTERBORES

AVELLANADOR DE FONDO PLANO

Up-shear design • HSS (m2) Drill bits included • Carbide tipped



ØD	Wood	Ød	ØD	Tool No.	
Drill Dia.	mm	Counterbore Dia.	Shank		
1/8"	3.2mm	4-6mm	3/8" 9.5mm	5/16" 8.0mm	630-100
5/32"	4.0mm	6-8mm	.394" 10mm	5/16" 8.0mm	630-200
11/64"	4.4mm	8-9mm	.394" 10mm	5/16" 8.0mm	630-300
3/16"	4.8mm	10mm	1/2" 12.7mm	3/8" 9.5mm	630-400
7/32"	5.6mm	12mm	1/2" 12.7mm	3/8" 9.5mm	630-500
15/64"	6.0mm	14mm	1/2" 12.7mm	3/8" 9.5mm	630-600
1/4"	6.3mm	16mm	1/2" 12.7mm	3/8" 9.5mm	630-700

Unit Pack: Individually Carded

Replacement Parts:

Tool No.	Repl. Drill Bit	Tool No.	Repl. Drill Bit
630-100	630-102	630-500	630-502
630-200	630-202	630-600	630-602
630-300	630-302	630-700	630-702
630-400	630-402		

Replacement set screws #67002 (2 required per tool).

STRAIGHT WOOD PLUG CUTTERS

CORTADOR PARA TAPAS DE MADERA

Quality wood cutters for making smooth straight plugs.



ØD	d	L	Tool No.
1/4"	3/8"	2"	607-100
3/8"	3/8"	2"	607-110
1/2"	3/8"	2"	607-120
5/8"	3/8"	2"	607-130

Unit Pack: Individually Carded

8 PC. WOOD PLUG CUTTER SET

JUEGO — 8 PZS. CORTADOR DE TAPAS

Straight and Tapered



8pc. set in wood box includes both straight & tapered plug cutters

Description	Tool No.
8 pc. Set in Wood Box, Straight & Tapered	607-500

Set includes 1 of ea. straight & tapered plug cutter shown in the previous tables.

CARBIDE TIPPED FORSTNER BITS

BROCA FORSTNER EN CARBURO DE TUNGSTENO

Carbide tipped forstner bits were designed so the rim remains extremely sharp, especially at the leading edge. It is here that the rim stays engaged in the cut so the bit won't drift laterally. This prevents tearout at the beginning of the cut to give a smooth clean cut. The finished hole will show a small center hole at the bottom of the hole. Clamshell packed for hanging display.



ØD	d	L	Tool No.
1/2"	3/8"	3-1/2"	660-100
5/8"	3/8"	3-1/2"	660-110
3/4"	3/8"	3-1/2"	660-120
7/8"	3/8"	3-1/2"	660-130
1"	3/8"	3-1/2"	660-140
1-1/16"	3/8"	3-1/2"	660-145
1-1/8"	3/8"	3-1/2"	660-150
1-1/4"	3/8"	3-1/2"	660-160
1-3/8"	3/8"	3-1/2"	660-165
35mm	3/8"	3-1/2"	660-170
1-1/2"	3/8"	3-1/2"	660-180
1-5/8"	3/8"	3-1/2"	660-190
1-3/4"	3/8"	3-1/2"	660-200
2"	3/8"	3-1/2"	660-220
2-1/8"	3/8"	3-1/2"	660-230

Unit Pack: Individually Carded

FORSTNER BITS

BROCA FORSTNER

High carbon tool steel. Especially designed to drill flat holes in soft and hardwoods using portable or stationary equipment.

Forstner bits are good at drilling severe angles and for partial angled holes. All off-angled and overlapping holes cut with a forstner bit should be drilled on a drill press.

Finished hole will show a small center hole at the bottom of the hole.



ØD	d	L	Tool No.
1/4"	3/8"	3-1/2"	600-100
3/8"	3/8"	3-1/2"	600-110
1/2"	3/8"	3-1/2"	600-120
3/4"	3/8"	3-1/2"	600-140
7/8"	3/8"	3-1/2"	600-150
1"	3/8"	3-1/2"	600-160
1-1/8"	3/8"	3-1/2"	600-170
1-1/4"	3/8"	3-1/2"	600-180
1-3/8"	3/8"	3-1/2"	600-190
35mm	3/8"	3-1/2"	600-200
1-1/2"	3/8"	3-1/2"	600-210
1-5/8"	3/8"	3-1/2"	600-220
1-3/4"	3/8"	3-1/2"	600-230
2"	3/8"	3-1/2"	600-250
2-1/8"	3/8"	3-1/2"	600-260

Unit Pack: Individually Carded

COIN SIZED HSS FORSTNER BITS

BROCA FORSTNER MEDIDAS ESPECIALES PARA MONEDAS

These high speed steel forstner bits were designed for the precise cutting holes to show off prize coins. Each size has razor sharp spurs for perfect cuts. Due to expansion and contraction of wood, coins should be secured with double-face tape.



Diameter	Shank	Length	Size Coin	Tool No.
.705"	3/8"	4"	Dime	601-104
1.219"	3/8"	4"	Half Dollar	601-106
1.058"	3/8"	4"	Dollar	601-110

SAW TOOTH FORSTNER BIT SET

BROCA DENTADA FORSTNER PARA MADERA

Heavy duty plastic case holds each forstner bit securely for storage and transporting to work sites. All the popular sizes in one convenient case.



670-160
16pc. Hex
Shank Set

Description	Tool No.
16 pieces includes 1/4", 3/8", 1/2", 5/8", 3/4", 7/8", 1", 1-1/8", 1-1/4", 1-3/8", 1-1/2", 1-5/8", 1-3/4", 35mm, 2" & 2-1/8"	670-160

SPADE BITS WITH SPURS

BROCA PLANA PARA PERFORACIONES EN MADERAS

1/4" Shank • 6" and 16" Long

Precision ground and hardened steel spade bits for general purpose drilling of hard and softwoods and wood by-products. Great for plumbing and electrical contractors.



6" Long	
Diameter	Tool No.
1/4"	604-100
5/16"	604-150
3/8"	604-200
7/16"	604-240
1/2"	604-250
5/8"	604-270
9/16"	604-300
11/16"	604-350
3/4"	604-400
13/16"	604-450
7/8"	604-500
15/16"	604-550
1"	604-600
26mm	604-610
1-1/16"	604-620
1-1/8"	604-650
1-3/16"	604-680
1-1/4"	604-700
1-3/8"	604-730
35mm	604-740
1-1/2"	604-750

16" Long	
Diameter	Tool No.
1/4"	604-810
5/16"	604-815
3/8"	604-820
1/2"	604-830
5/8"	604-840
3/4"	604-850
7/8"	604-860
1"	604-870

Unit Pack: Individually Carded
Also available in quick release, see page 61.

6 PIECE SPADE BIT SET

JUEGO-6 PZS. BROCCAS PLANAS DE PRECISION PARA MADERA



Description	Tool No.
6 piece spade bit set includes 3/8", 1/2", 5/8", 3/4", 7/8" & 1"	604-800

Unit Pack: Individual Vinyl Pouch

AUGER BITS

BROCA PARA MADERA PARA USO EN TALADRO ELECTRICO

Auger bits require little feed pressure because the threaded lead screw will put the bit into the cut. For deep holes the auger clears its chips well and the screw point prevents the bit from wandering. Great for plumbing and electrical contractors. Packaged in vinyl pouches.



9" Long		18" Long	
Diameter	Tool No.	Diameter	Tool No.
1/4"	605-100	3/8"	605-500
5/16"	605-110	1/2"	605-510
3/8"	605-120	9/16"	605-520
7/16"	605-130	5/8"	605-530
1/2"	605-140	11/16"	605-540
9/16"	605-150	3/4"	605-550
5/8"	605-160	13/16"	605-560
11/16"	605-170	7/8"	605-570
3/4"	605-180	1"	605-590
7/8"	605-200	1-1/8"	605-600
15/16"	605-210	1-1/4"	605-610
1"	605-220	1-3/8"	605-620
1-1/8"	605-230		
1-1/4"	605-240		
1-3/8"	605-250		

Unit Pack: Individual Vinyl Pouch

Also available in quick release, see page 62.

AUGER BIT EXTENSIONS

EXTENSION PARA BROCCAS BERBIQUI

Extensions with 7/16" hex shank and 7/16" inner diameter.



Description	Tool No.
18" auger bit extension, 7/16" shank	605-702

Unit Pack: Individual Vinyl Pouch

SPADE BIT EXTENSIONS

EXTENSION PARA BROCCAS PLANAS



Description	Tool No.
6" spade bit extension, 1/4" shank	604-760
12" spade bit extension, 1/4" shank	604-770

Unit Pack: Individual Vinyl Pouch

THE WORKHORSE

BROCA PARA MADERA CON AUTO-ALIMENTACION

Designed for plumbers and electricians. Self-feeding boring bits for plumbing and electrical contractors. Heat treated special steel alloy for maximum wear resistance with a replaceable feed screw that easily pulls the bit through the material. Drills large diameter holes in wood for piping and conduit. Each bit includes allen wrench and extra feed screw.



Diameter	Rigid Conduit	Tubing	Length	Feed Screw	Repl. Screw	Tool No.
1"	1/2"	1/2"-3/4"	4-1/2"	500-30	500-20	600-350
1-1/4"	3/4"	1-1/8"	4-1/2"	500-30	500-20	600-354
1-3/8"	1-1/2"	1-1/4"	4-1/2"	500-30	500-20	600-356
1-3/4"	1-1/4"	1-1/2"	4-1/2"	500-30	500-20	600-360
2"	1-1/2"	1-7/8"	4-1/2"	500-30	500-20	600-362

Unit Pack: Individually Carded

Wrench #500-80 and extra Feed Screw included.

LOCKSET INSTALLATION KITS

JUEGO 3 PZS PARA INSTALACION DE CERRADURAS

Includes 2-1/8" hole saw with 3/8" shank arbor and either 7/8" or 1" spade bit. For installation of 2-1/8" locksets. Instructions included.



Description	Tool No.
3 piece kit with 7/8" spade bit	650-100
3 piece kit with 1" spade bit	650-200

Unit Pack: Individually Carded

HSS LONG SLOT MORTISE BITS

BROCAS HSS PARA MORTAJAS

- 4 Flute
- Can cut both right and left hand rotation
- High Speed Steel (HSS)
- Precision ground for smooth cuts
- Used for cutting mortise slots in soft & hardwood



ØD	B	Ød	L	Tool No.
1/4"	2-3/4"	1/2"	4-3/4"	609-200
3/8"	3-1/4"	1/2"	5-1/4"	609-202
1/2"	3-3/4"	1/2"	5-1/2"	609-204
5/8"	4-1/4"	1/2"	5-3/4"	609-206

Unit Pack: Individually Carded

MORTISING CHISELS & BITS

BROCAS PARA ESCOPLA

Used in drill press mortising attachments. Includes both square chisel and special drill bit.



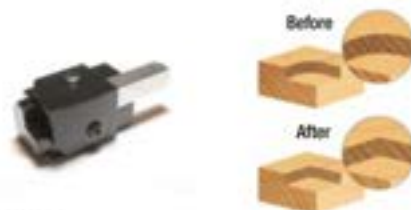
ØD	B	Ød	L	Tool No.
1/4"	1-7/8"	5/8"	8-1/4"	609-150
5/16"	2"	5/8"	8-1/4"	609-152
3/8"	3"	5/8"	8-1/4"	609-154
1/2"	3"	5/8"	8-1/4"	609-156
3/4"	3-5/8"	5/8"	8-1/4"	609-158
1/4"	1-3/4"	19mm(3/4")	8-1/4"	609-100
5/16"	1-3/4"	19mm(3/4")	8-1/4"	609-110
3/8"	2-7/8"	19mm(3/4")	8-1/4"	609-120
1/2"	2-7/8"	19mm(3/4")	8-1/4"	609-130
5/8"	2-7/8"	19mm(3/4")	8-1/4"	609-140

Unit Pack: Individually Boxed

CORNER CHISEL

CORTADOR PARA BISAGRAS

Easily cuts 90° corners for fitting hinges. Simply line the straight edges of the cut & strike the edge with a hammer, it turns your rounded corner into a neat square corner. Precision ground high speed steel.



Description	Tool No.
1 Corner Chisel	3420

Unit Pack: Individually Carded

TIMBERLINE

DOUBLE EDGE LAMINATE/VENEER TRIMMER

CORTADORA DOBLE FILO PARA TAPACANTOS

Very useful shop tool for bevel trimming all types of thin laminates, thin veneers and edgework. Will bevel trim both top and bottom of material ranging from 1/2" to 1" thick. Features include adjustable and replaceable steel knives.



Description	Tool No.
1 Double Edge Trimmer	3400

Unit Pack: Individually Carded

Replacement Parts:

Tool No.	Description
3402	6 Piece Replacement Knife Set

END TRIMMER

RETESTADOR DE CANTOS

For trimming excess material from the end of panels. The result is high-quality cuts on all corners of the board. Features include two High Speed Steel blades (upper and lower).



Description	Tool No.
1 End Trimmer	3410

Unit Pack: Individually Carded

Replacement Parts:

Tool No.	Description
3412	2 Piece Replacement Blade Set

SCORING TOOL - DUAL CARBIDE TIPPED

MARCADOR CON DOBLE FILO DE CARBURO

- Dual carbide tipped
- Reversible blade (stored in the handle)
- Three scoring tips, two for cutting/scoring and the third for chiseling
- Re-sharpenable carbide tips



Description	Tool No.
1 Scoring Tool	3500

Minimum order: 10 pcs.

Unit Pack: Individually Carded

CARPENTER PENCILS

LAPICES DE CARPINTEROS

Blister packed for hang-up display. Each package contains 6 pencils.



Description	Tool No.
6 Pencils	AL-200

Unit Pack: Individually Carded

DIAMOND HONES

PIEDRA DE DIAMANTE PARA AFILAR

Quick & Easy Sharpening

Great for quick sharpening of router bits, shaper cutters, saw blades, chisels and knives. Sharpening surface is 3/4" wide by 2" long with tapered leading edge for difficult-to-reach areas. Excellent for sharpening carbide, high speed steel (HSS) and tool steel. Plastic handle for quick and easy handling.



Color	Grit	L	Tool No.
Blue	1200 Super Fine	6-1/4"	4016

Unit Pack: Individually Carded

NOGA CARBIDE DEBURRING TOOLS

REBABEADORES EN CARBURO

Light Duty Magic Burr 2 – NG2002

Will do almost all of your deburring jobs. Includes one each: Noga Grip 2 handle, with light duty N1 and N2 blades.



Description	Type	Blades Included	Tool No.
Magic Burr 2	Light Duty	N1 & N2	NG2002

Unit Pack: Individually Carded



DEBURRING SYSTEM



Excellent for scraping, deburring and reaming. All tools have solid carbide replacement blades.

SAFETY GLASSES

LENTES INDUSTRIALES DE SEGURIDAD

Industrial

- Polycarbonate lenses to resist impact
- U.V. protection
- Hard coated plastic frames with adjustable temples in length



SG-005*

*Meets requirements of ANSI-Z87.1

Description	Tool No.
Clear Frame Black Ear Pieces	SG-005

Min: 10 pieces per box

Unit Pack: Individual Poly Bag with a Header Card

HEARING PROTECTION HEADSETS

AURICULAR INDUSTRIAL PARA PROTECCION AUDITIVA

Industrial



SH-001

Description	Rating	Tool No.
Black Hearing Cups	NRR=26dB	SH-001

Unit Pack: Individual Poly Bag with a Header Card





 **Amana Tool**[®]
www.amanatool.com



AGE
SERIES
www.agecuttingtools.com

INDEX

INDICE

Item No.	Page	Item No.	Page	Item No.	Page	Item No.	Page	Item No.	Page	Item No.	Page
ALPHA		10080-30	42	100-34	2	160-68	5	260-40	15	390-16	12
AL-200	70	10081	40	100-38	2	160-70	6	270-10	16	390-22	13
BU-100	49	10081-30	40	100-40	2	160-80	6	270-12	16	390-30	12
BU-110	49	10181	40	100-41	2	160-82	6	270-14	16	390-40	12
BU-120	49	10181-30	40	100-42	2	160-84	6	270-16	16	400-10	10
BU-122	49	12024	42	100-46	2	170-10	6	270-20	16	400-12	10
BU-125	49	12024-30	42	100-50	2	170-12	6	270-22	16	400-14	10
BU-130	49	12040	42	100-54	2	175-40C	36	270-24	16	400-18	10
BU-140	49	12040-30	42	110-08	2	175-41C	37	270-34	16	420-10	21
BU-150	49	12090	42	110-10	2	175-60B	36	270-40	16	420-22	21
BU-200	49	12090-30	42	110-11	2	175-60C	36	270-42	16	420-30	22
BU-225	49	12090	42	110-12	2	180-08	5	270-44	16	420-50	22
BU-250	49	12090-30	42	110-14	2	180-10	5	270-46	16	420-54	23
BU-300	49	12096	40	110-15	2	180-14	5	270-48	16	420-60, 420-61	23
BU-400	49	12096-30	40	110-16	2	180-18	5	270-50	16	420-62	13
BU-450	49	12100	40	110-17	2	180-20	5	270-52	16	420-70	13
BU-500	49	23416	45	110-18	2	180-21	5	270-62	16	420-80	14
BU-515	49	25800	46	110-19	2	180-22	5	280-08	8	420-84	14
BU-520	49	33818	45	110-22	2	180-23	5	280-10	8	420-90	13
BU-525	49	33824	45	110-26	2	180-70	5	280-14	8	440-10	19
BU-530	49	45020	45	110-28	2	185-06	38	280-20	8	440-14	19
NS2002	71	47701	32	110-29	2	185-485TL	43	280-28	8	440-16	18
RB-102	33	47702	32	110-30	2	185-505	41	280-32	8	440-18	18
RB-103	33	47704	32	110-31	2	190-10	5	280-42	8	440-19	18
RB-115	33	47706	32	110-33	2	190-14	5	300-100	39	440-24	20
RB-116	33	47708	32	110-34	2	190-18	3	300-600	39	440-26	20
RB-118	33	47712	32	110-36	2	190-22	3	305-08PG0	38	440-32	17
RB-122	33	47713	32	110-37	2	190-24	4	305-40	38	440-34	21
RB-120	33	47714	32	110-38	2	190-26	4	320-06	8	450-04	7
SG-005	71	47716	32	110-42	2	190-28	3	320-10	8	450-08	7
SH-001	71	47718	32	110-44	2	190-30	3	320-14	8	450-10	7
SH-002	72	47719	32	110-46	2	190-34	4	320-18	8	450-12	7
SH-003	72	47720	32	110-48	2	190-38	4	320-20	8	450-16	7
STF-4	49	47721	32	110-50	2	190-42	4	320-22	8	450-18	7
STF-6	49	47734	32	110-52	2	190-46	4	320-26	8	450-22	7
TDS-500	65	47738	32	120-08	3	190-50	4	320-30	8	450-24	7
TRS-100	21	47743	32	120-10	3	195-10	4	320-34	8	450-28	10
TRS-120	26	47754	32	120-12	3	195-14	4	320-38	8	450-30	10
TRS-130	29	47763	32	120-14	3	190-62	4	320-42	8	460-12	22
TRS-150	32	47770	32	120-16	3	200-10	4	320-46	8	460-13	22
TRS-170	25	47771	32	120-20	4	200-14	4	320-48	8	460-16	6
TRS-180	31	47772	32	120-24	4	200-18	4	320-50	8	460-18	20
TRS-210	29	55036	44	120-28	4	200-30	4	320-54	8	460-20	7
TRS-230	29	55040	44	120-300	34	200-32	4	320-56	8	470-10	17
TRS-240	26	63020	45	130-10	3	210-10	15	320-58	8	480-10	23
TRS-250	25	63036	45	130-12	3	210-12	15	320-60	8	480-20	23
TRS-260	25	65040	44	130-14	3	210-20	6	340-10	8	490-10	17
TRS-270	28	65042	44	130-16	3	210-22	6	340-14	8	500-40	69
TRS-280	28	72524	42	130-50	3	215-240	36	340-16	8	600-100	67
TRS-290	27	72540	42	130-52	3	215-400	36	340-18	8	600-110	67
TRS-310	33	80032	42	135-300	34	220-10	9	340-22	8	600-120	67
		80040	42	140-10	17	220-14	9	340-28	8	600-140	67
		80060	42	140-14	17	220-18	9	340-30	8	600-150	67
NUMERIC		82524	42	150-08	16	220-26	9	350-10	9	600-160	67
3400, 3402	70	82540	42	150-10	16	220-30	9	350-12	9	600-170	67
3410, 3412	70	100-01	2	150-14	16	220-34	9	350-14	9	600-180	67
3420	69	100-02	2	150-20	16	220-38	9	350-16	9	600-190	67
3500	70	100-04	2	150-200	35	240-10	11	350-18	9	600-200	67
4016	70	100-08	2	150-400	35	240-14	11	350-20	9	600-210	67
4018 to 4019	64	100-10	2	150-70	16	240-18	11	350-40	9	600-220	67
4025	57	100-12	2	160-10	5	240-22	11	360-10	10	600-230	67
4033	63	100-14	2	160-14	5	250-400	37	360-14	10	600-250	67
10030	42	100-15	2	160-18	5	250-600	37	360-16	10	600-260	67
10030-30	42	100-16	2	160-20	5	250-601	39	370-10	12	600-350	69
10040	42	100-17	2	160-22	5	250-800	37	370-12	12	600-354	69
10040-30	42	100-18	2	160-24	5	250-801	39	370-14	12	600-356	69
10060	42	100-19	2	160-50	5	254-32	38	370-16	12	600-360	69
10060-30	42	100-22	2	160-54, 160-58	5	260-10	15	370-18	12	600-362	69
10081	43	100-26	2	160-60, 160-62	5	260-11	15	380-10	11	601-104	67
10081-30	43	100-30	2	160-64	5	260-14	15	390-10	14	601-108	67
10080	42										

INDEX
INDICE

Item No.	Page	Item No.	Page	Item No.	Page	Item No.	Page	Item No.	Page	Item No.	Page
601-110	57	604-200	68	606-114	55	608-208	58	608-572	62	608-765	60
601-300	50	604-240	68	606-116	55	608-212	58	608-574	62	608-780	57
601-302	50	604-250	68	606-117	55	608-214	58	608-576	62	608-782	57
601-304	50	604-270	68	606-118	55	608-216	58	608-578	62	608-784	57
601-306	50	604-300	68	606-120	55	608-218	58	608-602	63	608-800	63
601-308	50	604-350	68	606-123	55	608-220	58	608-604	63	608-803	63
601-310	50	604-400	68	606-124	55	608-250	59	608-605	63	609-100	68
601-312	50	604-450	68	606-125	55	608-251	59	608-606	63	609-110	68
601-314	50	604-500	68	606-130	55	608-254	59	608-608	63	609-120	68
601-320	50	604-550	68	606-132	55	608-256	59	608-609	63	609-130	68
601-330	50	604-600	68	606-133	55	608-258	59	608-610	63	609-140	68
601-332	50	604-610	68	606-136	55	608-260	58	608-612	63	609-150	68
601-340	51	604-620	68	606-140	55	608-262	58	608-614	63	609-152	68
601-342	51	604-650	68	606-142	55	608-266	58	608-616	63	609-154	68
601-344	51	604-680	68	606-156	55	608-268	58	608-620	62	609-156	68
601-346	51	604-700	68	606-157	55	608-274	58	608-622	62	609-158	68
601-348	51	604-730	68	606-158	55	608-276	58	608-623	62	609-200 to 609-206	69
601-350	51	604-740	68	606-160	55	608-278	58	608-630	63	610-102	53
601-352	51	604-750	68	606-162	55	608-290	60	608-632	63	610-104	53
601-354	51	604-760	68	606-164	55	608-292	60	608-633	63	610-106	53
601-358	51	604-770	68	606-170	53	608-294	60	608-634	63	610-108	53
601-360	50	604-800	68	606-172	53	608-296	60	608-635	63	610-110	53
601-362	50	604-810	68	606-174	53	608-298	60	608-636	63	610-112	53
601-364	51	604-815	68	606-176	53	608-300	60	608-637	63	610-114	53
601-366	51	604-820	68	606-178	53	608-302	60	608-639	63	610-116	53
602-100	56	604-830	68	606-180	53	608-304	60	608-640	63	610-118	53
602-104	56	604-840	68	606-182	53	608-380	62	608-642	63	610-120	53
602-106	56	604-850	68	606-184	53	608-386	61	608-644	63	610-122	53
602-108	56	604-860	68	606-186	53	608-399	61	608-650	62	610-126	53
602-112	56	604-870	68	606-190	53	608-400	61	608-652	62	610-128	53
602-114	56	604-880	61	606-200	55	608-402	61	608-654	62	610-130	53
602-116	56	604-890	61	607-100	66	608-410	61	608-660	64	610-132	53
602-118	56	604-900	61	607-110	66	608-412	61	608-662	64	610-500 to 610-518	53
602-120	56	604-910	61	607-120	66	608-420	61	608-664	64	610-602 to 610-634	53
602-122	56	604-920	61	607-130	66	608-422	61	608-670	64	610-702 to 610-720	53
602-124	56	604-930	61	607-300	66	608-430	61	608-671	64	611-100 to 611-168	54
602-126	56	605-100	68	607-310	66	608-432	61	608-673	64	611-200 to 611-230	54
602-128	56	605-110	68	607-320	66	608-440	61	608-674	64	611-500 to 611-568	54
602-130	56	605-120	68	607-330	66	608-442	61	608-675	64	613-100 to 613-196	52
602-136	56	605-130	68	607-500	66	608-450	61	608-676	64	613-200 to 613-284	52
602-138	56	605-140	68	608-100	58	608-460	61	608-678	64	613-400 to 613-496	52
602-140	56	605-150	68	608-102	62	608-470	61	608-690	63	616-100 to 616-168	55
602-142	56	605-160	68	608-104	57	608-480	61	608-691	63	620-150	66
602-144	56	605-170	68	608-110	59	608-490	61	608-700	64	620-180	66
602-146	56	605-180	68	608-112	59	608-500	61	608-701	64	620-250	66
602-148	56	605-200	68	608-114	59	608-502	61	608-702	64	620-280	66
602-150	56	605-210	68	608-116	59	608-504	61	608-703	64	620-350	66
602-152	56	605-220	68	608-118	59	608-508	61	608-704	64	630-100 to 630-300	66
602-154	56	605-230	68	608-119	59	608-510	61	608-709	64	630-310 to 630-314	54
602-156	56	605-240	68	608-120	59	608-512	61	608-710	64	630-400 to 630-702	66
602-158	56	605-250	68	608-130	59	608-520	60	608-712	64	640-100 to 640-180	46
602-160	56	605-300	68	608-132	59	608-522	60	608-714	64	640-200 to 640-270	48
602-162	56	605-310	68	608-134	59	608-524	60	608-716	64	640-300 to 640-390	47
602-164	56	605-320	68	608-136	59	608-526	60	608-717	64	650-100, 650-200	69
602-166	56	605-330	68	608-138	59	608-528	60	608-718	64	660-100 to 660-230	67
602-168	56	605-340	68	608-140	59	608-530	65	608-720	64	670-160	67
602-170	56	605-350	68	608-142	59	608-550	60	608-721	64	680-240	32
602-174	56	605-360	68	608-144	59	608-552	60	608-731	65		
602-178	56	605-370	68	608-146	59	608-554	60	608-732	65		
602-180	56	605-390	68	608-148	59	608-556	61	608-733	65		
602-182	56	605-600	68	608-150	58	608-558	61	608-750	60		
602-186	56	605-610	68	608-152	58	608-560	62	608-751	60		
602-202	57	605-620	68	608-160	60	608-562	62	608-752	60		
602-330	57	606-100	55	608-162	60	608-563	62	608-753	60		
602-332	57	606-102	55	608-174	59	608-564	62	608-755	60		
602-334	57	606-104	55	608-178	59	608-566	62	608-760	60		
602-336	57	606-106	55	608-180	59	608-567	62	608-761	60		
602-338	57	606-108	55	608-200	58	608-568	62	608-762	60		
604-100	68	606-110	55	608-202	58	608-570	62	608-763	60		
604-150	68	606-112	55	608-204	58	608-571	62	608-764	60		

CONVERSION TABLE

TABLA DE CONVERSION

Inch Decimals	Inch Fractions (x)						MM	Millimeters				
	/64	/32	/16	/8	/4	/2		1" + (x)	2" + (x)	3" + (x)	4" + (x)	5" + (x)
0.015625	1/64						0.397	25.400	50.800	76.200	101.600	127.000
0.031250							0.794	25.797	51.197	76.597	101.997	127.397
0.046875	3/64						1.191	26.194	51.595	76.994	102.394	127.794
0.062500			1/16				1.588	26.598	52.398	77.798	103.198	128.598
0.078125	5/64						1.984	27.394	52.794	78.194	103.594	128.984
0.093750		3/32					2.381	27.781	53.181	78.581	103.981	129.381
0.109375	7/64						2.778	28.178	53.578	78.978	104.378	129.778
0.125000				1/8			3.175	28.575	53.975	79.375	104.775	130.175
0.140625	9/64						3.572	28.972	54.372	79.772	105.172	130.572
0.156250		5/32					3.969	29.369	54.769	80.169	105.569	130.969
0.171875	11/64						4.366	29.766	55.166	80.566	105.966	131.366
0.187500			3/16				4.762	30.162	55.562	80.962	106.362	131.762
0.203125	13/64						5.159	30.559	55.959	81.359	106.759	132.159
0.218750		7/32					5.556	30.956	56.356	81.756	107.156	132.556
0.234375	15/64						5.953	31.353	56.753	82.153	107.553	132.953
0.250000					1/4		6.350	31.750	57.150	82.550	107.950	133.350
0.265625	17/64						6.747	32.147	57.547	82.947	108.347	133.747
0.281250		9/32					7.144	32.544	57.944	83.344	108.744	134.144
0.296875	19/64						7.541	32.941	58.341	83.741	109.141	134.541
0.312500			5/16				7.938	33.338	58.738	84.138	109.538	134.938
0.328125	21/64						8.334	33.734	59.134	84.534	109.934	135.334
0.343750		11/32					8.731	34.131	59.531	84.931	110.331	135.731
0.359375	23/64						9.128	34.528	59.928	85.328	110.728	136.128
0.375000				3/8			9.526	34.925	60.325	85.725	111.125	136.525
0.390625	25/64						9.922	35.322	60.722	86.122	111.522	136.922
0.406250		13/32					10.319	35.719	61.119	86.519	111.919	137.319
0.421875	27/64						10.716	36.116	61.516	86.916	112.316	137.716
0.437500			7/16				11.112	36.512	61.912	87.312	112.712	138.112
0.453125	29/64						11.509	36.909	62.309	87.709	113.109	138.509
0.468750		15/32					11.906	37.306	62.706	88.106	113.506	138.906
0.484375	31/64						12.303	37.703	63.103	88.503	113.903	139.303
0.500000						1/2	12.700	38.100	63.500	88.900	114.300	139.700
0.515625	33/64						13.097	38.497	63.897	89.297	114.697	140.097
0.531250		17/32					13.494	38.894	64.294	89.694	115.094	140.494
0.546875	35/64						13.891	39.291	64.691	90.091	115.491	140.891
0.562500			9/16				14.288	39.688	65.088	90.488	115.888	141.288
0.578125	37/64						14.684	40.084	65.484	90.884	116.284	141.684
0.593750		19/32					15.081	40.481	65.881	91.281	116.681	142.081
0.609375	39/64						15.478	40.878	66.278	91.678	117.078	142.478
0.625000				5/8			15.875	41.275	66.675	92.075	117.475	142.875
0.640625	41/64						16.272	41.672	67.072	92.472	117.872	143.272
0.656250		21/32					16.669	42.069	67.469	92.869	118.269	143.669
0.671875	43/64						17.066	42.466	67.866	93.266	118.666	144.066
0.687500			11/16				17.462	42.862	68.262	93.662	119.062	144.462
0.703125	45/64						17.859	43.259	68.659	94.059	119.459	144.859
0.718750		23/32					18.256	43.656	69.056	94.456	119.856	145.256
0.734375	47/64						18.653	44.053	69.453	94.853	120.253	145.653
0.750000					3/4		19.050	44.450	69.850	95.250	120.650	146.050
0.765625	49/64						19.447	44.847	70.247	95.647	121.047	146.447
0.781250		25/32					19.844	45.244	70.644	96.044	121.444	146.844
0.796875	51/64						20.241	45.641	71.041	96.441	121.841	147.241
0.812500			13/16				20.638	46.038	71.438	96.838	122.238	147.638
0.828125	53/64						21.034	46.434	71.834	97.234	122.634	148.034
0.843750		27/32					21.431	46.831	72.231	97.631	123.031	148.431
0.859375	55/64						21.828	47.228	72.628	98.028	123.428	148.828
0.875000				7/8			22.225	47.625	73.025	98.425	123.825	149.225
0.890625	57/64						22.622	48.022	73.422	98.822	124.222	149.622
0.906250		29/32					23.019	48.419	73.819	99.219	124.619	150.019
0.921875	59/64						23.416	48.816	74.216	99.616	125.016	150.416
0.937500			15/16				23.812	49.212	74.612	100.012	125.412	150.812
0.953125	61/64						24.209	49.609	75.009	101.409	126.809	152.209
0.968750		31/32					24.606	50.000	75.406	101.806	126.206	151.606
0.984375	63/64						25.003	50.403	75.803	102.203	126.603	152.003

CONVERSION TABLE





Timberline™ Headquarters

120 Carolyn Boulevard
Farmingdale, New York 11735 USA

Phone: +1-631-752-1300

Toll-Free Phone: 800-445-0077

Fax: +1-631-752-1674

Toll-Free Fax: 877-676-0077 (orders only)

Website: www.timberline-amana.com

Email: tools@amanatool.com

Dealer

Form #TL-1-23

