



INDUSTRIAL

Countersinks

Counterbores and more!

82° COUNTERSINKS

Carbide Tipped • For Wood Screws • 2-Wing
With Slow Spiral, HSS M2 DIN 338 Fully Ground Drill

Used to countersink holes for the heads of screws. The 2-flute integral design ensures uniform and concentric results each and every time. Carbide tips provide chip-free hole edges and lasts much longer than steel countersinks.

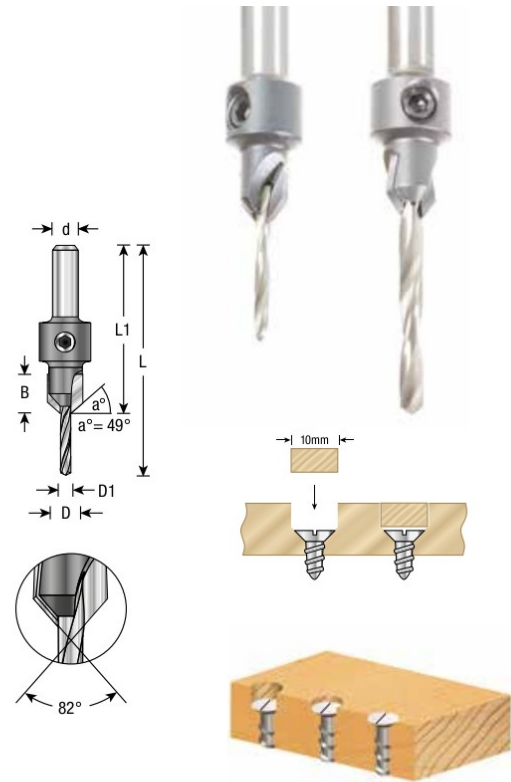
Excellent For Drilling:

- Natural Woods
- Man-Made Boards
- MDF
- Chipboard
- Plywood
- Aluminum/Non-Ferrous
- Aluminum Composite Material (ACM)
- Composites
- Composite Decking Materials

Wood Screw Size	ØD	ØD1	B	Ød	L1	L	Repl. Drill Bit	Tool No.
#4	11/32	3/32	1/2	5/16	1-5/8	2-1/4	630-002	55200
#4	3/8	5/64	1/2	5/16	1-5/8	2-9/16	630-001	55207 <i>New</i>
#4	3/8	7/64	1/2	5/16	1-5/8	2-3/8	630-098	55201
#6	5/16	1/8	1/2	5/16	1-5/8	2-9/16	630-102	55203
#6	3/8	1/8	1/2	5/16	1-5/8	2-9/16	630-102	55202
#6	1/2	1/8	1/2	5/16	1-5/8	2-9/16	630-102	55205
#6	25/64	9/64	1/2	5/16	1-5/8	2-3/4	630-802	55204
#8	25/64	5/32	1/2	5/16	1-5/8	2-7/8	630-202	55206
#8	7/16	11/64	1/2	5/16	1-5/8	3	630-302	55208
#10	7/16	3/16	1/2	3/8	1-3/4	3	630-402	55210
#10	1/2	3/16	1/2	3/8	1-3/4	3	630-402	55211
#12	15/32	7/32	1/2	3/8	1-3/4	3	630-502	55212

Replacement set screw #67083.

▲ Warning: When drilling aluminum/non-ferrous, for optimal results and extended tool life, use lubricant or air cooling. Make sure the material is fixed and drill is stable during drilling.



AITiN COATED 82° COUNTERSINKS

Carbide Tipped • For Wood Screws • 2-Wing
With Slow Spiral, HSS M2 DIN 338 Fully Ground Drill

AITiN coating provides chip-free edges and last longer than uncoated carbide tipped and much longer than steel countersinks. The 2-flute integral design ensures uniform and concentric results each and every time. Used to countersink holes for the heads of screws.

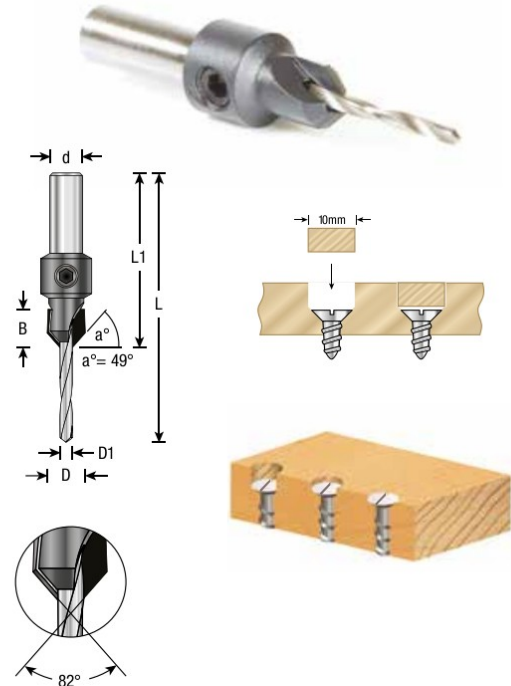
AITiN COATED BITS

Excellent For Drilling:

- Natural Woods
- Man-Made Boards
- MDF
- Chipboard
- Plywood
- Composites
- Composite Decking Materials

Wood Screw Size	ØD	ØD1	B	Ød	L1	L	Repl. Drill Bit	Tool No.
#4	11/32	3/32	1/2	5/16	1-5/8	2-1/4	630-002	55200XL
#6	3/8	1/8	1/2	5/16	1-5/8	2-9/16	630-102	55202XL
#8	25/64	5/32	1/2	5/16	1-5/8	2-7/8	630-202	55206XL
#8	7/16	11/64	1/2	5/16	1-5/8	3	630-302	55208XL

Replacement set screw #67083.

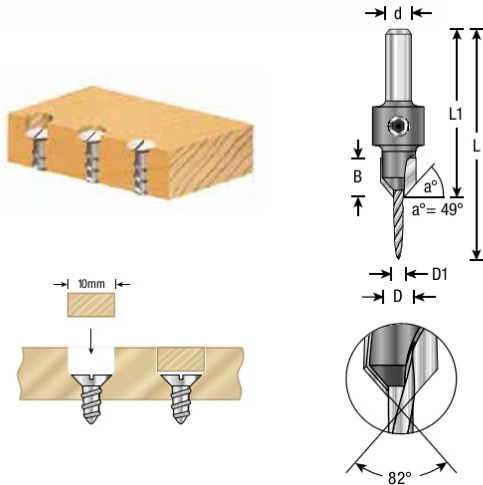




82° COUNTERSINKS

*Carbide Tipped • 2-Wing • With Slow Spiral,
HSS M2 DIN 338 Fully Ground Tapered Drill*

Used to countersink holes for the heads of screws. The 2-flute integral design ensures uniform and concentric results each and every time.



Excellent For Drilling:

- Natural Woods
- Man-Made Boards
- MDF
- Chipboard
- Plywood
- Aluminum/Non-Ferrous
- Aluminum Composite Material (ACM)
- Composites
- Composite Decking Materials

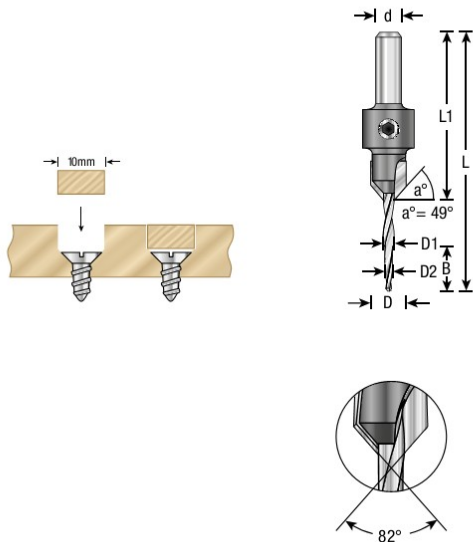
Wood Screw Size	ØD	ØD1	B	Ød	L1	L	Repl. Drill Bit	Tool No.
#4	11/32	3/32	1/2	5/16	1-5/8	2-1/4	630-262	55600
#6	3/8	1/8	1/2	5/16	1-5/8	2-9/16	630-266	55602
#6	25/64	9/64	1/2	5/16	1-5/8	3	630-268	55604
#8	7/16	11/64	1/2	5/16	1-5/8	3-1/4	630-272	55608
#10	7/16	3/16	1/2	3/8	2	3-1/2	630-274	55610

Replacement set screw #67083.

82° COUNTERSINKS **New**

*Carbide Tipped • 2-Wing
With Slow Spiral, HSS M2 DIN 338 Fully Ground Stepped Drill*

Used to countersink holes for the heads of screws. The 2-flute integral design ensures uniform and concentric results each and every time.



Excellent For Drilling:

- Natural Woods
- Man-Made Boards
- MDF
- Chipboard
- Plywood
- Aluminum/Non-Ferrous
- Aluminum Composite Material (ACM)
- Composites
- Composite Decking Materials

Soft Wood Screw Size	Hard Wood Screw Size	ØD	ØD1	ØD2	B	Ød	L1	L	Repl. Drill Bit	Tool No.
#6	#5	25/64	9/64	3/32	5/8	5/16	1-3/4	2-3/4	630-010	55120
#8	#6	25/64	5/32	7/64	3/4	5/16	1-3/4	3	630-012	55122
#9-10	#8	7/16	11/64	1/8	7/8	5/16	1-3/4	3-1/8	630-014	55124
#12	#9-10	7/16	3/16	9/64	1	5/16	2	3-3/8	630-016	55126

Replacement set screw #67083.



*CNC Countersinks
for Composites*
See page 38

Warning: When drilling aluminum/non-ferrous, for optimal results and extended tool life, use lubricant or air cooling. Make sure the material is fixed and drill is stable during drilling.

82° COUNTERSINKS

Quick Release 1/4" Hex Shank • Carbide Tipped • 2-Wing
With Slow Spiral, HSS M2 DIN 338 Fully Ground Drill

Drill pilot hole and tapered countersink for wood screws. The 2-flute integral design ensures uniform and concentric results each and every time.

Excellent For Drilling:

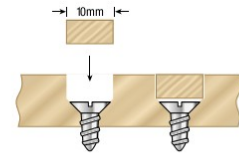
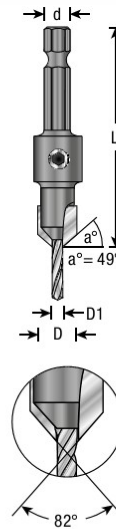
- Natural Woods
- Man-Made Boards
- MDF
- Chipboard
- Plywood
- Aluminum/Non-Ferrous
- Aluminum Composite Material (ACM)
- Composites
- Composite Decking Materials

Wood Screw Size	ØD	ØD1	a°	Ød	L	Optional Depth-Stop	Repl. Drill Bit	Tool No.
#4	3/8	5/64	49°	1/4	2-1/8	608-120	630-001	55260
#6	3/8	3/32	49°	1/4	2-1/8	608-120	630-002	55262
#8	3/8	7/64	49°	1/4	2-1/8	608-120	630-098	55264
#10	3/8	1/8	49°	1/4	2-1/8	608-120	630-102	55266
#12	1/2	9/64	49°	1/4	2-1/8	608-122	630-802	55268
#12 to #14	3/8	5/32	49°	1/4	2-1/8	608-120	630-202	55269

Replacement parts: Set screw #67083; Hex key #5009.



Optional Depth-Stop #608-120



82° COUNTERSINKS

Quick Release 1/4" Hex Shank • Carbide Tipped • 2-Wing
With Taper Point HSS M2 DIN 338 Fully Ground Drill

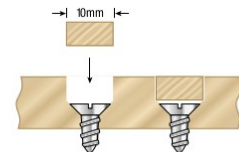
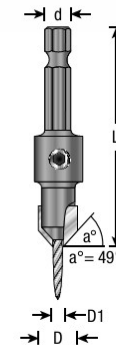
Drill pilot hole and tapered countersink for wood screws. The 2-flute integral design ensures uniform and concentric results each and every time.

Excellent For Drilling:

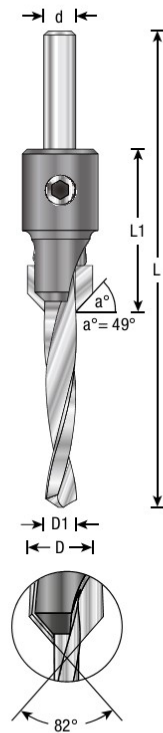
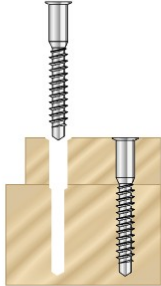
- Natural Woods
- Man-Made Boards
- MDF
- Chipboard
- Plywood
- Aluminum/Non-Ferrous
- Aluminum Composite Material (ACM)
- Composites
- Composite Decking Materials

Wood Screw Size	ØD	ØD1	a°	Ød	L	Repl. Drill Bit	Tool No.
#4	3/8	5/64	49°	1/4	2-1/8	630-260	55620
#6	3/8	3/32	49°	1/4	2-1/8	630-262	55622
#8	3/8	7/64	49°	1/4	2-1/8	630-264	55624
#10	3/8	1/8	49°	1/4	2-1/8	630-266	55626
#12	1/2	9/64	49°	1/4	2-1/8	630-268	55628

Replacement parts: Set screw #67083; Hex key #5009.



Warning: When drilling aluminum/non-ferrous, for optimal results and extended tool life, use lubricant or air cooling. Make sure the material is fixed and drill is stable during drilling.



82° SHANKLESS COUNTERSINKS New

*Carbide Tipped • 2-Wing
With Slow Spiral, HSS M2 DIN 338 Fully Ground Drill*

Used to countersink holes for the heads of screws. The 2-flute integral design ensures uniform and concentric results each and every time.

Excellent For Drilling:

- Natural Woods
- Man-Made Boards
- MDF
- Chipboard
- Plywood
- Aluminum/Non-Ferrous
- Aluminum Composite Material (ACM)
- Composites
- Composite Decking Materials

Wood Screw Size	ØD	ØD1	Ød	L1	L	Repl. Drill Bit	Tool No.
#20	5/8	5/16	5/16	1-1/2	4-5/8	630-704	55130
#20	3/4	5/16	5/16	1-1/2	4-5/8	630-704	55132
#24	3/4	3/8	3/8	1-1/2	4-15/16	630-706	55134
#24	1	3/8	3/8	2	4-15/16	630-706	55136

SHANKLESS COUNTERBORES New

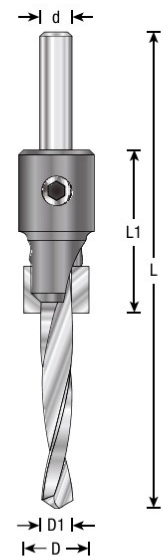
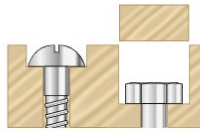
*Carbide Tipped • 2-Wing
With Slow Spiral, HSS M2 DIN 338 Fully Ground Drill*

Used to countersink holes for the heads of screws. The 2-flute integral design ensures uniform and concentric results each and every time.

Excellent For Drilling:

- Natural Woods
- Man-Made Boards
- MDF
- Chipboard
- Plywood
- Aluminum/Non-Ferrous
- Aluminum Composite Material (ACM)
- Composites
- Composite Decking Materials

Wood Screw Size	ØD	ØD1	Ød	L1	L	Repl. Drill Bit	Tool No.
#20	5/8	5/16	5/16	1-1/2	4-5/8	630-704	55140
#20	3/4	5/16	5/16	1-1/2	4-5/8	630-704	55141
#24	3/4	3/8	3/8	1-1/2	4-15/16	630-706	55142
#24	1	3/8	3/8	2	4-15/16	630-706	55143
—	1	1/2	1/2	2	5-15/16	630-708	55144
—	1-1/8	1/2	1/2	2	5-15/16	630-708	55145



Warning: When drilling aluminum/non-ferrous, for optimal results and extended tool life, use lubricant or air cooling. Make sure the material is fixed and drill is stable during drilling.

COUNTERBORES

*Quick Release 1/4" Hex Shank • Carbide Tipped • 2-Wing
With Slow Spiral, HSS M2 DIN 338 Fully Ground Drill*

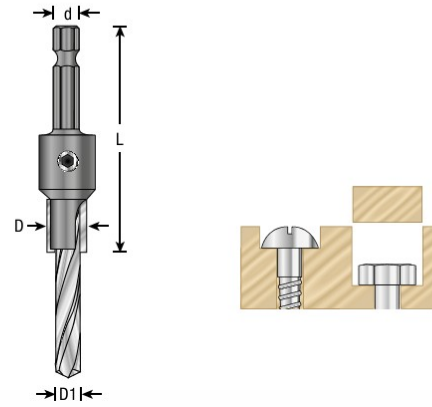
Flat bottom counterbores for using round head screws, hex bolts, etc.
Includes pilot drill.

Excellent For Drilling:

- Natural Woods
- Man-Made Boards
- MDF
- Chipboard
- Plywood
- Aluminum/Non-Ferrous
- Aluminum Composite Material (ACM)
- Composites
- Composite Decking Materials

ØD	ØD1	Ød	L	Repl. Drill Bit	Tool No.
3/8	3/16	1/4	2-3/16	630-402	55282
1/2	1/4	1/4	2-3/4	630-702	55286
5/8	1/4	1/4	2-3/4	630-702	55288

Replacement parts: Set screw #67083; Hex key #5009.



ADJUSTABLE DEPTH-STOP NO-MAR ADAPTER WITH NO THRUST BEARING

For Amana Tool® 5/16" Dia. Round Shank Carbide Tipped Countersinks & Counterbores

No Burning, No Marring & No Friction

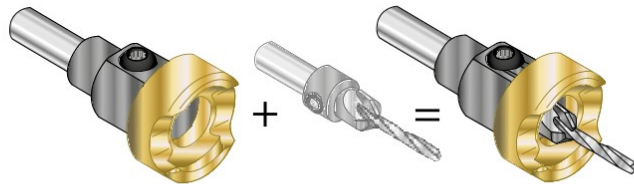
Adjustable, no friction, heavy-duty revolving metal depth stopper produces a clean surface and provides simple, adjustable depth-stop developed for quick and easy adjustment of the countersink and drill depth. The user friendly design enables control of both without the need to disassemble the depth-stop.

The minimum countersink depth while using the adapter will be 1/16" and the maximum 3/8".

Fits the following Amana Tool® carbide tipped countersinks and counterbores with a 5/16" diameter round shank:

- 55200
- 55201
- 55202
- 55203
- 55204
- 55205
- 55206
- 55206XL
- 55208
- 55208XL
- 55600
- 55602
- 55608

ØD	Ød	L (Adjustable)	Tool No.
1-1/4	3/8	2-1/2 - 2-25/32	55246



(Countersink sold separately)



No-Thrust Ball Bearing
eliminates the scratching
or burning of the surface.



Double-sided hex
key included.

▲ Warning: When drilling aluminum/non-ferrous, for optimal results and extended tool life, use lubricant or air cooling. Make sure the material is fixed and drill is stable during drilling.

A must-have tool for every woodworker!

82° COUNTERSINK WITH ADJUSTABLE DEPTH-STOP & NO-THRUST BEARING

*Quick Release 1/4" Hex Shank • Carbide Tipped
2-Wing With HSS M2 Fully Ground Drill*

No Burning, No Marring & No Friction

Features an adjustable, heavy-duty, revolving metal depth-stopper with a strong thrust ball bearing for quick and easy adjustment of the countersink depth without scratching or burning surfaces. The open space allows for chip evacuation.

User friendly design enables control of the drill length and its replacement, without the need to disassemble the depth-stop.

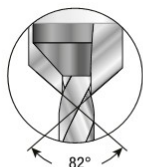
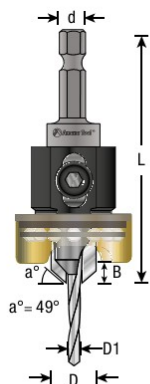
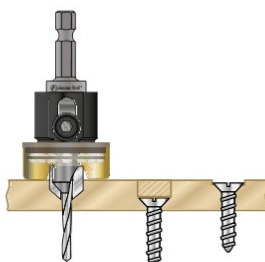
Enables users to drill a pilot hole and tapered countersink in one step. Adjustable depth stop and independent stop collar prevent marking of the work-piece and perfect countersink depth control.

Excellent For Drilling:

- Aluminum/Non-Ferrous
- Aluminum Composite Material (ACM)
- Chipboard
- Composites
- Composite Decking Materials
- Man-Made Boards
- MDF
- Natural Woods
- Plywood



No-Thrust Ball Bearing
eliminates the scratching
or burning of the surface.



Wood Screw	Size	ØD	ØD1	B	a°	Ød	L	Drill DIN	Repl. Drill Bit	Tool No.
#4	3/8	5/64	3/64-3/8	49°	1/4	2-5/8	1897	630-220	55226	New
#4	3/8	3/32	3/64-3/8	49°	1/4	2-5/8	338	630-222	55225	
#6	3/8	7/64	3/64-3/8	49°	1/4	2-5/8	338	630-224	55241	New
#6	3/8	1/8	3/64-3/8	49°	1/4	2-5/8	1897	630-226	55227	
#6	3/8	9/64	3/64-3/8	49°	1/4	2-5/8	1897	630-228	55228	
#8	3/8	5/32	3/64-3/8	49°	1/4	2-5/8	1897	630-230	55229	
#8	1/2	11/64	3/64-3/8	49°	1/4	2-3/4	1897	630-234	55240	
#10	1/2	3/16	3/64-3/8	49°	1/4	2-3/4	1897	630-236	55242	

Replacement NF1/4 x 1/4 set screw #67070 for tightening depth stop.
Replacement NF1/4-28 x 3/16 set screw #67083 for drill tightening.
Replacement 1/8 x 5/32 double-sided hex key #5019 (included).



Double-sided hex
key included.

Warning: When drilling aluminum/non-ferrous, for optimal results and extended tool life, use lubricant or air cooling. Make sure the material is fixed and drill is stable during drilling.

A must-have tool for every woodworker!

82° COUNTERSINK WITH ADJUSTABLE DEPTH-STOP & NO-THRUST BEARING New

*Quick Release 1/4" Hex Shank • Carbide Tipped
2-Wing With Tapered HSS M2 Fully Ground Drill*

No Burning, No Marring & No Friction

Features an adjustable, heavy-duty, revolving metal depth-stopper with a strong thrust ball bearing for quick and easy adjustment of the countersink depth without scratching or burning surfaces. The open space allows for chip evacuation.

User friendly design enables control of the drill length and its replacement, without the need to disassemble the depth-stop.

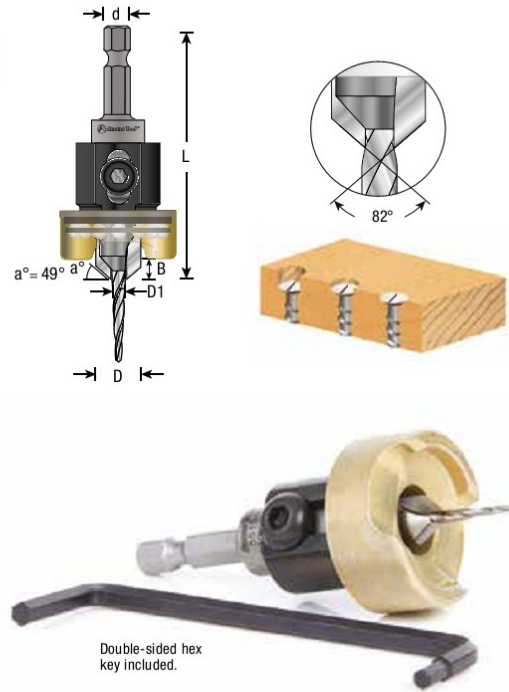
Excellent For Drilling:

- Aluminum/Non-Ferrous
- Aluminum Composite Material (ACM)
- Chipboard
- Composites
- Composite Decking Materials
- Man-Made Boards
- MDF
- Natural Woods
- Plywood



Wood Screw Size	ØD	ØD1	B	a°	Ød	L	Drill DIN	Repl. Drill Bit	Tool No.
#4	3/8	5/64	3/64-3/8	49°	1/4	2-5/8	338	630-260	55156
#4	3/8	3/32	3/64-3/8	49°	1/4	2-5/8	338	630-262	55150
#6	3/8	1/8	3/64-3/8	49°	1/4	2-5/8	1897	630-266	55151
#6	3/8	9/64	3/64-3/8	49°	1/4	2-5/8	1897	630-268	55152
#8	3/8	5/32	3/64-3/8	49°	1/4	2-5/8	1897	630-270	55153
#8	1/2	11/64	3/64-3/8	49°	1/4	2-3/4	1897	630-272	55154
#10	1/2	3/16	3/64-3/8	49°	1/4	2-3/4	1897	630-274	55155

Replacement NF1/4 x 1/4 set screw #67070 for tightening depth stop.
Replacement NF1/4-28 x 3/16 set screw #67083 for drill tightening.
Replacement 1/8 x 5/32 double-sided hex key #5019 (included).



Double-sided hex key included.

A must-have tool for every woodworker!

82° COUNTERSINK WITH ADJUSTABLE DEPTH-STOP & NO-THRUST BEARING FOR FESTOOL® CENTROTEC® New

*Hybrid Quick Release 1/4" Hex Shank For Festool® CENTROTEC®
Carbide Tipped 2-Wing With HSS M2 Fully Ground Drill*

No Burning, No Marring & No Friction

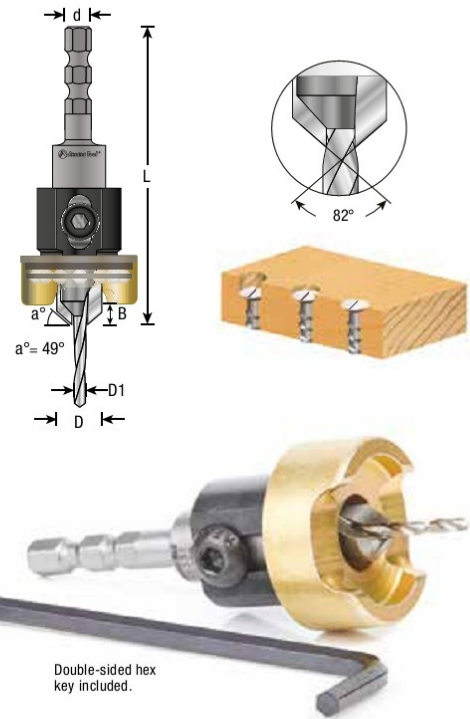
Tool designed with a unique shank with hex part and round part.

Fits both Festool® CENTROTEC® drill machines and standard quick-change chucks for 1/4" (6.3mm) hex shank.

Features an adjustable, heavy-duty, revolving depth-stop with a strong thrust ball bearing for quick and easy adjustment of the countersink depth without scratching or burning surfaces. See above table for material cut list.

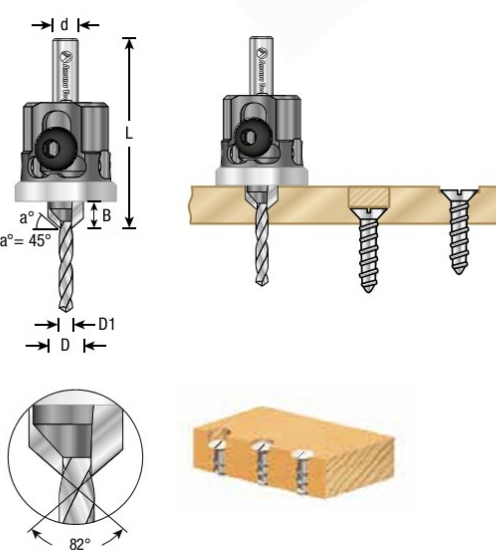
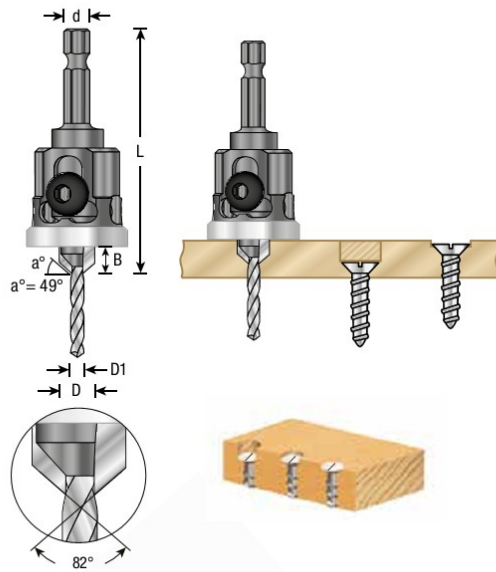
Wood Screw Size	ØD	ØD1	B	a°	Ød	L	Drill DIN	Repl. Drill Bit	Tool No.
#4	3/8	3/32	3/64-3/8	49°	1/4	2-5/8	338	630-222	55331
#6	3/8	1/8	3/64-3/8	49°	1/4	2-5/8	1897	630-226	55334
#8	3/8	5/32	3/64-3/8	49°	1/4	2-5/8	1897	630-230	55336
#10	1/2	3/16	3/64-3/8	49°	1/4	2-3/4	1897	630-236	55338

Replacement NF1/4 x 1/4 set screw #67070 for tightening depth stop.
Replacement NF1/4-28 x 3/16 set screw #67083 for drill tightening.
Replacement 1/8 x 5/32 double-sided hex key #5019 (included).



Double-sided hex key included.

▲ Warning: When drilling aluminum/non-ferrous, for optimal results and extended tool life, use lubricant or air cooling. Make sure the material is fixed and drill is stable during drilling.



A must-have tool for every woodworker!

82° COUNTERSINK WITH ADJUSTABLE LOW FRICTION DEPTH-STOP

*Quick Release 1/4" Hex Shank • 2-Wing • Carbide Tipped
With HSS M2 Slow Spiral Fully Ground Drill DIN 1897*

Low Friction Polymer Collar

No surface scratches or burn marks!

These tools combine carbide countersink, high-speed steel drill bit and free-spinning, low friction depth-stop. The countersink leaves a clean hole edge and the adjustable depth-stop doesn't mar the surface. The large openings around the collar allow the chips to clear effectively and eliminate clogging.

Excellent For Drilling:

- Aluminum/Non-Ferrous
- Aluminum Composite Material (ACM)
- Chipboard
- Composites
- Composite Decking Materials
- Man-Made Boards
- MDF
- Natural Woods
- Plywood

Wood Screw	Size	ØD	ØD1	B	a°	Ød	L	Repl. Drill Bit	Tool No.
#4	3/8	7/64	9mm	9mm	49°	1/4	2-3/8	630-224	55293
#6	3/8	1/8	9mm	9mm	49°	1/4	2-3/8	630-226	55294
#6	1/2	9/64	9mm	9mm	49°	1/4	2-3/8	630-228	55295
#8	3/8	5/32	9mm	9mm	49°	1/4	2-3/8	630-230	55296

Replacement NF1/4 x 1/4 set screw #67070 for tightening depth stop.
Replacement NF1/4-28 x 3/16 set screw #67083 for drill tightening.
Replacement 1/8 x 5/32 double-sided hex key #5019 (included).

▲ Warning: When drilling aluminum/non-ferrous, for optimal results and extended tool life, use lubricant or air cooling. Make sure the material is fixed and drill is stable during drilling.



A must-have tool for every woodworker!

82° COUNTERSINK WITH ADJUSTABLE LOW FRICTION DEPTH-STOP New

*1/4" Round Shank • 2-Wing • Carbide Tipped
With HSS M2 Slow Spiral Fully Ground Drill DIN 1897*

Low Friction Polymer Collar

No surface scratches or burn marks!

These tools combine carbide countersink, high-speed steel drill bit and free-spinning, low friction depth-stop. The countersink leaves a clean hole edge and the adjustable depth-stop doesn't mar the surface. The large openings around the collar allow the chips to clear effectively and eliminate clogging.

Excellent For Drilling:

- Aluminum/Non-Ferrous
- Aluminum Composite Material (ACM)
- Chipboard
- Composites
- Composite Decking Materials
- Man-Made Boards
- MDF
- Natural Woods
- Plywood

Wood Screw	Size	ØD	ØD1	B	a°	Ød	L	Repl. Drill Bit	Tool No.
#6	3/8	1/8	7/64-15/64	7/64-15/64	45°	1/4	1-27/32	630-226	55633
#8	13/32	5/32	7/64-15/64	7/64-15/64	45°	1/4	1-27/32	630-230	55634

Replacement NF1/4 x 1/4 set screw #67070 for tightening depth stop.
Replacement NF1/4-28 x 3/16 set screw #67083 for drill tightening.
Replacement 1/8 x 5/32 double-sided hex key #5019 (included).

▲ Warning: When drilling aluminum/non-ferrous, for optimal results and extended tool life, use lubricant or air cooling. Make sure the material is fixed and drill is stable during drilling.

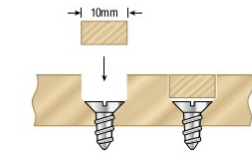
10-PC. COUNTERSINK MASTER SET New

Complete Countersink Set

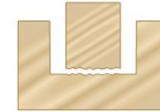
- Drilling & Countersinking with a single tool.
- Concealing of screwheads with plugs which perfectly fit with countersink.
- Designed for portable drills and drill press



Dia.	Cut Height	Shank	Length	Type	Includes
3/8	1/2	5/16	2-9/16	Countersink	55202
25/64	1/2	5/16	2-3/4	Countersink	55204
25/64	1/2	5/16	2-7/8	Countersink	55206
3/8	—	1/4	2-1/8	Quick Release Countersink	55264
3/8	—	1/4	2-1/8	Quick Release Countersink	55266
3/8	—	1/4	2-1/8	Quick Release Countersink	55624
3/8	—	1/4	2-1/8	Quick Release Countersink	55626
3/8	3/64-3/8	1/4	2-5/8	No-Mar Countersink	55227
3/8	5/64-11/32	1/4	2-3/8	Low Friction Countersink	55293
3/8	—	3/8	2	Wood Plug Cutter	607-110
Complete 10-Pc Set					AMS-620



55202, 55204, 55206, 55264, 55266,
55624, 55626, 55227 & 55293



607-110

Excellent For Drilling:

- Aluminum/Non-Ferrous
- Aluminum Composite Material (ACM)
- Chipboard
- Composites
- Composite Decking Materials
- Man-Made Boards
- MDF
- Natural Woods
- Plywood

Warning: When drilling aluminum/non-ferrous, for optimal results and extended tool life, use lubricant or air cooling. Make sure the material is fixed and drill is stable during drilling.

COUNTERSINK & PLUG SET

Carbide Tipped • 10mm Diameter Countersink & Plug

- Drilling & Countersinking with a single tool.
- Concealing of screwheads with plugs which perfectly fit with countersink.
- Designed for portable drills and drill presses.

Description	Drill Dia.	Tool No.
2 Pc. Countersink & Plug Cutter	1/8	PS-100
2 Pc. Countersink & Plug Cutter	9/64	PS-200
2 Pc. Countersink & Plug Cutter	11/64	PS-400
All 4 Countersinks & Drills & 1 Plug Cutter	1/8, 9/64, 5/32 & 11/64	PS-500
Plug Cutter only (10mm dia.)	—	PLC-100

Note: All countersinks are carbide-tipped. The plug cutter and drill bits are high-speed steel. Countersinks have 8mm shank diameter.



PS-500

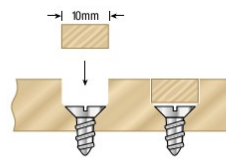
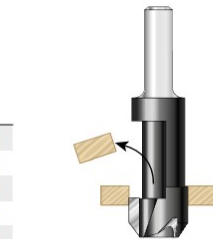


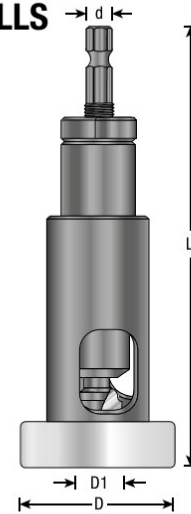
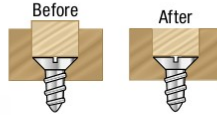


Photo credit Randy O'Rourke. Wood Flooring by Charles Peterson, published by The Taunton Press in 2010

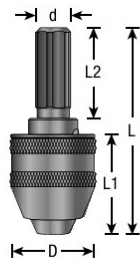
PLUG PLANER FOR HAND DRILLS AND DRILL PRESSES

*Carbide Tipped • Non-Marring
Quick Release Hex Shank*

This plug planer is designed for a hand drill with a hex shank for quick changes. Its adjustable depth of cut ensures easy and accurate plug trimming while its replaceable plastic ring base prevents damage to the wood surface. The unique spring loaded plunging operation enables an efficient, secure and quick plug trimming.



ØD	ØD1	Ød	L	Tool No.
2	15mm	1/4	4-3/4	PLP-100



QUICK CHANGE CHUCK

Simply pull sleeve to change drill bits, screwdrivers, countersinks and other power bits. Special long shaft for use with keyless chucks. This is an industrial quality accessory manufactured with exacting tolerances.

ØD	Ød	L	L1	L2	Tool No.
15/16	3/8	2	1-7/64	1	55298



Improved Spiral Action for Better Chip Ejection

COUNTERBORES†

Fits Evans, Ritter, Unique, Marcon, Norfield® and Castle® Face Frame Machines

Carbide Tipped

Features include precision ground carbide-tipped counterbore for splinter-free cutting, non-slip surface treatment for positive clamping, wide web design for superior strength and replaceable HSS fishtail drills.

Description	ØD	ØD1	Ød	L	Tool No.
Counterbore	3/8	.136	9mm	4	424000

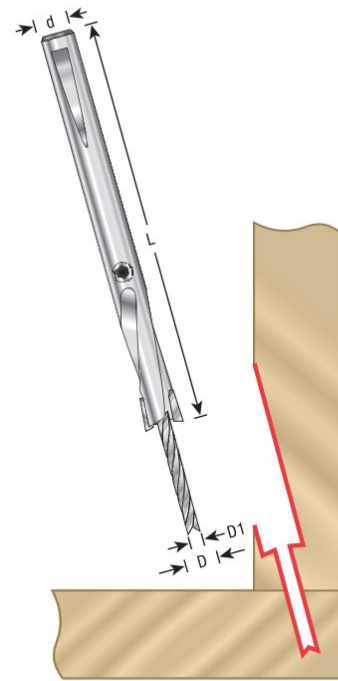
Replacement #8-32 NC set screw, #67010.

#29 Replacement HSS Fish Tail Drills

Description	ØD1	Ød	L	Tool No.
Standard	.136	—	2-7/8	424004
DHN Surface Treated for Longer Tool Life	.136	—	2-7/8	424006



† Application: Not to be used in portable drills or handheld routers.

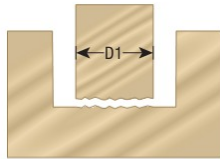
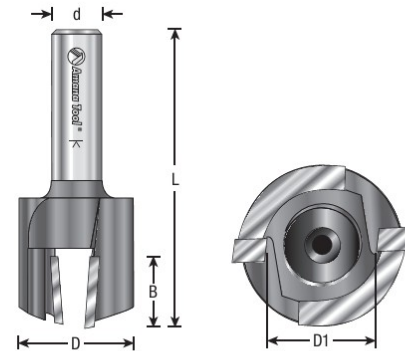


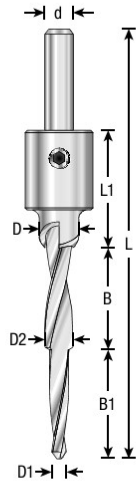
PLUG CUTTER FOR DRILL PRESS

Carbide Tipped • 2 Flute

Must clamp work-piece firmly to drill press table.

ØD	ØD1	B	Ød	L	Tool No.
5/8	.335	1/2	1/2	2-1/2	55217
5/8	3/8	1/2	1/2	2-1/2	55220
25/32	1/2	1/2	1/2	2-1/2	55222
29/32	5/8	1/2	1/2	2-1/2	55224
1-1/32	3/4	1/2	1/2	2-1/2	55223





3-STEP RTA FURNITURE DRILL/ COUNTERSINK ASSEMBLY

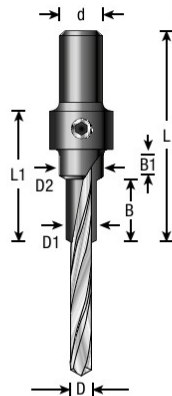
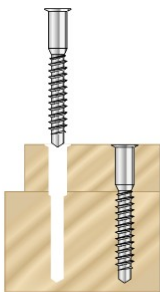
With HSS Slow Spiral Drill

Commonly used for RTA (ready-to-assemble) furniture fittings. Specially-treated high-speed steel countersink with polished slow-spiral drill bit. Will perform 3 tasks in one: pilot hole, clearance hole and countersink. For connecting screws (Conformat, Directa, etc.). The shankless countersink is heat treated.

ØD	ØD1	ØD2	B	B1	Ød	L1	L	Tool No.
10mm	5mm	7mm	<30mm*	25mm	7mm	30mm	106mm	55650

* B can be adjusted up to 30mm.

Replacement parts: 5x7mm Stepped drill #55107; Hex key #5009.



3-STEP RTA FURNITURE DRILL/ COUNTERSINK

With HSS Slow Spiral Drill

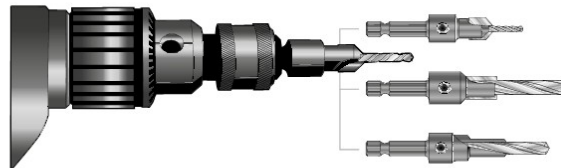
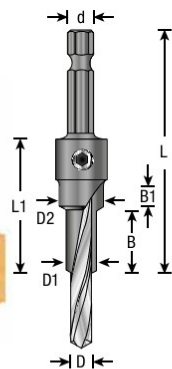
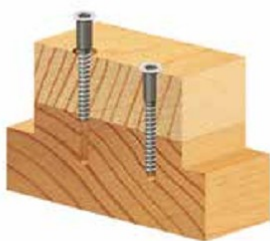
Commonly used for RTA (ready-to-assemble) furniture fittings. Specially-treated high-speed steel countersink with polished slow-spiral drill bit. Will perform 3 tasks in one: pilot hole, clearance hole and countersink. For connecting screws (Conformat, Directa, etc.). The shankless countersink is heat treated.

ØD	ØD1	ØD2	B	B1	Ød	L1	L	Tool No.
3.5mm	5mm	7mm	15mm	5mm	10mm	33mm	52mm	55102
5mm	7mm	10mm	19mm	5mm	10mm	32mm	58mm	55103

Replacement 3.5mm HSS slow spiral drill bit, 2-3/4" long, #55104.

Replacement 5.0mm HSS slow spiral drill bit, 3-7/16" long, #55105.

Replacement #10-24 set screw, #67092 (requires #5000 3/32" hex key).



RTA FURNITURE DRILL/COUNTERSINK

RTA furniture step drill – bit creates steps for the "Conformat" style furniture screw. Used for drilling pilot hole, clearance hole and countersinking.

ØD	ØD1	ØD2	B	B1	Ød	L1	L	Tool No.
3.5mm	5mm	7mm	15mm	5mm	1/4	33mm	60mm	55290
5mm	7mm	10mm	19mm	5mm	1/4	38mm	62mm	55292

Replacement 3.5mm HSS slow spiral drill bit, 2-3/4" long, #55104.

Replacement 5.0mm HSS slow spiral drill bit, 3-7/16" long, #55105.

Replacement #10-24 set screw, #67092 (requires #5000 3/32" hex key).

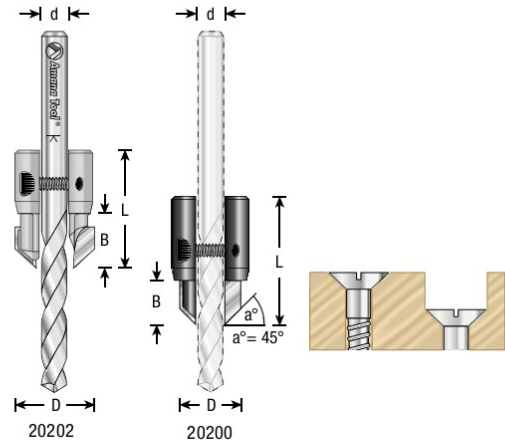
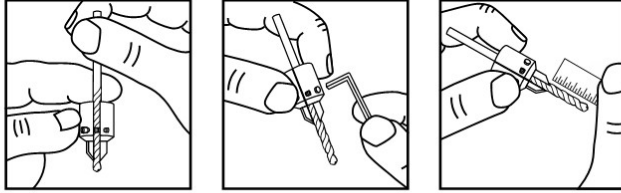
'DI-COUNT'TM ADJUSTABLE COUNTERSINK

Carbide-Tipped • 2-Wing

ØD	a°	B	Ød	L	Drill No.	Tool No.
7/16 to 19/32	45°	7/16	3/32 to 9/32	1-1/4	—	20200
5/8 to 25/32	45°	5/8	1/4 to 13/32	1-11/32	630-702	20202*

* Includes 1/4" diameter slow spiral, HSS M2 DIN 338 fully ground drill.
 20200 accepts drills from 3/32" to 9/32" (Wood Screw Sizes #2 through #18).
 20202 accepts drills from 1/4" to 13/32" (Wood Screw Sizes #2 through #18).
 Replacement Allen screws (2 required) #67090.
 Replacement 3mm hex key #5004 (included).
 Drills not included with 20200.

▲ Warning: When drilling aluminum/non-ferrous, for optimal results and extended tool life, use lubricant or air cooling. Make sure the material is fixed and drill is stable during drilling.



ADJUSTABLE COUNTERBORE

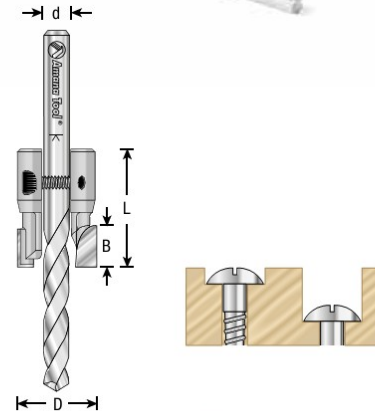
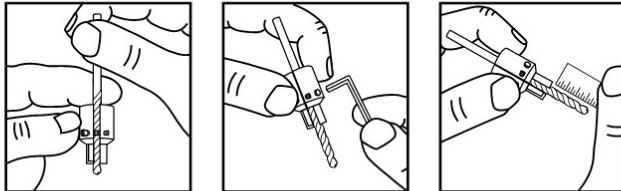
Carbide-Tipped • 2-Wing
 Slow Spiral, HSS M2 DIN 338 Fully Ground Drill

Accepts Drills from 3/32" through 9/32" (Wood Screw Sizes #2 through #18).

ØD	B	Ød	L	Drill No.	Tool No.
29/64 to 5/8	15/32	1/8 to 9/32	1-3/32	630-102	20204**
27/32 to 1	5/8	1/4 to 13/32	1-5/16	630-702	20206*

** Includes 1/8" diameter drill.
 * Includes 1/4" diameter drill.
 Replacement Allen screws (2 required) #67090.
 Replacement 3mm hex key #5004 (included).

▲ Warning: When drilling aluminum/non-ferrous, for optimal results and extended tool life, use lubricant or air cooling. Make sure the material is fixed and drill is stable during drilling.



ADJUSTABLE UNIVERSAL DRILL-DEPTH STOPS

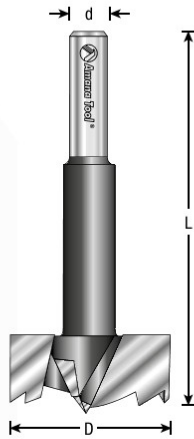
Can be clamped onto any drill* from 3mm to 10mm. An innovation and universal solution to the problem of drilling holes to an accurate depth. Special design to minimize any marks on the surface being drilled. User friendly – quick assembly and easy drill-depth adjustment.

* Drills not included.

Range of Drill Diameters	Tool No.
3mm to 7mm (1/8 to 1/4)	20210
6mm to 10mm (1/4 to 3/8)	20212

Replacement 3mm hex key #5004 (not included).





MULTI-TOOTH FORSTNER BITS

High Carbon Tool Steel • 1/2" Shank

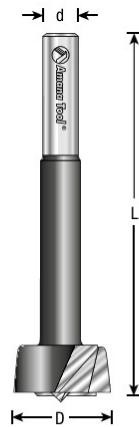
Specially designed Forstner bits for cutting telephone and computer wire grommet access holes in office furniture. All tools feature precision ground and tempered tool steel, multi-tooth cutting edges for faster cutting and chip removal, and massive cutter body to dissipate heat and resist burning.

ØD	Ød	L	Tool No.
2-1/4 (57mm)	1/2	6	FO-558
2-3/8 (60mm)	1/2	6	FO-562
3 (76mm)	1/2	6	FO-574
3-1/8 (80mm)	1/2	6	FO-560

FORSTNER PATTERN BITS

High Carbon Tool Steel • 2-Wing

Application: Drill pocket-holes, flat-bottom holes*, etc., using any 3/8" or larger portable drill or stationary drill press. Forstner pattern bits are well known for their ability to drill clean and chip-free holes in wood. Amana Tool® uses only the finest quality tool steel, precision machined and ground on state-of-the-art equipment. Large gullets milled in the tool body provide exceptional chip clearance.



ØD	Ød	L	Tool No.
1/4	5/16	3-1/2	FO-080
3/8	3/8	3-1/2	FO-095
5/16	3/8	3	FO-079
7/16	3/8	3-1/2	FO-111
1/2	3/8	3-1/2	FO-127
9/16	3/8	3-1/2	FO-142
5/8	3/8	3-1/2	FO-160
11/16	3/8	3-1/2	FO-174
3/4	3/8	3-1/2	FO-190
13/16	3/8	3-1/2	FO-206
7/8	3/8	3-1/2	FO-222
15/16	3/8	3-1/2	FO-238
1	3/8	3-1/2	FO-254
1-1/16	3/8	3-1/2	FO-269
1-1/8	3/8	3-1/2	FO-285
1-1/4	3/8	3-1/2	FO-317
1-3/8	3/8	3-1/2	FO-349
35mm	3/8	3-1/2	FO-350
1-1/2	3/8	3-1/2	FO-381
1-5/8	3/8	3-1/2	FO-413
1-3/4	3/8	3-1/2	FO-445
1-7/8	3/8	3-1/2	FO-476
2	3/8	3-1/2	FO-508
2-1/8	3/8	3-1/2	FO-540

* Note: A small pilot hole used for centering will be present on flat bottom holes.

FORSTNER PATTERN SETS

High Carbon Tool Steel • 3/8" Shank

All sets are packed in beautiful, custom-made hardwood cases. Features a sliding, clear acrylic door with sizes imprinted on the front and a pre-drilled bit tray that rotates for easy access to your tools.



Set No. FO-600



Set No. FO-700

Description	Order #
6-Piece Forstner bit set, 3/8" shank. Sizes: 3/8, 1/2, 5/8, 3/4, 7/8, 1.	FO-600
15-Piece Forstner bit set, 3/8" shank. Sizes: All 15 fractional sizes (3/8 through 2-1/8 in 1/8 increments).	FO-700